

Overview

- Transmission length up to 1500 m
- Converting standard square-wave signals into optical signals
- Transmission error detection via checksum (CRC)
- High-precision transmission of signals (Jitter <100 ns)
- Constant delay time <20 µs
- Automatic channel switchover in realtime upon failure of one fiber-optic channel
- Outdoor box with protection IP 66, IP 67



Technical data

Technical data - electrical ratings

Voltage supply	9...30 VDC
Consumption	≤300 mA
Inputs	HTL, TTL
Input signals	K1, K2, K0 + inverted Err + inverted
Outputs	2 x fiber-optic
Start time	<500 ms
Wave length	~820 nm
Transmission length	≤1500 m

Technical data - mechanical design

Dimensions W x H x L	122 x 81 x 220 mm
----------------------	-------------------

Technical data - mechanical design

Protection EN 60529	IP 66 / IP 67
Ambient temperature	-20...+70 °C
Weight approx.	1800 g
Connection	1x cable gland M16x1.5 1x cable gland M20x1.5 1x cable gland M32x1.5 Screw terminal connector 2x ST connector
Housing type	Mounting on standard rails according to EN 50022
Material	Housing: aluminium die-cast

LWL-SBR

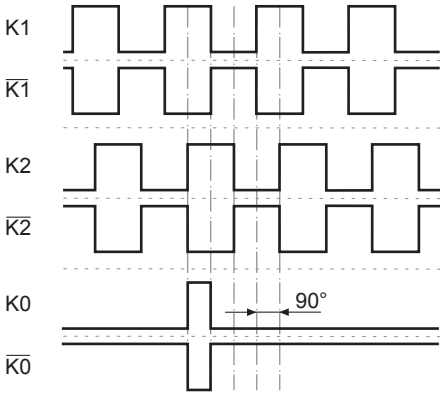
Fiber-optic transmitter with outdoor box for interference-free transmission of square-wave signals

Article number: 11126092

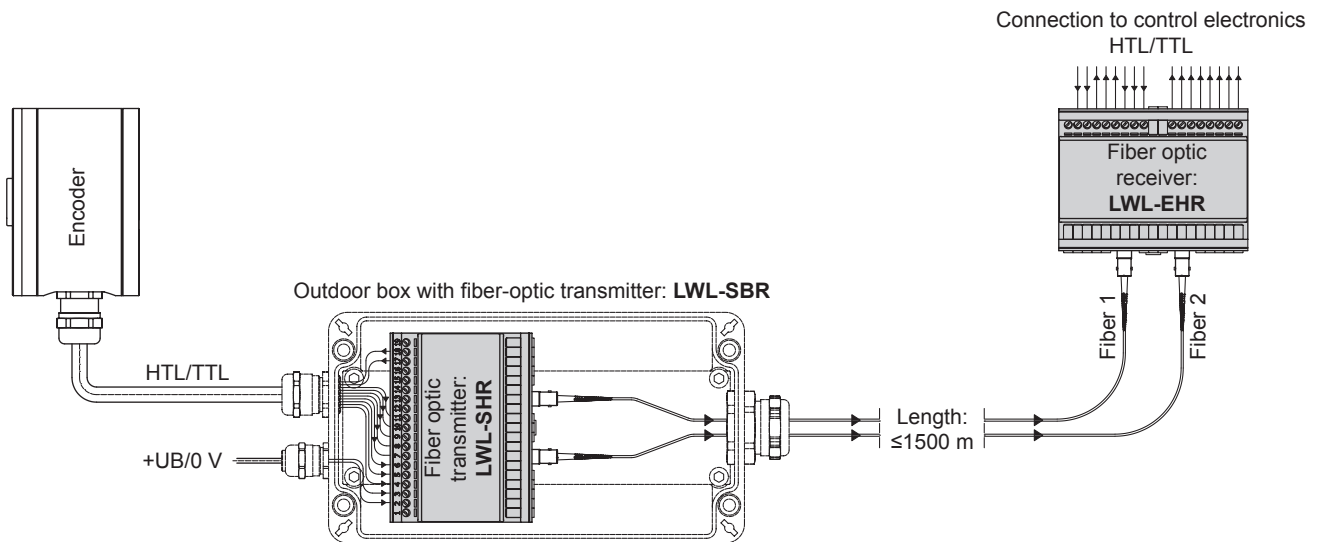
Output signals

HTL/TTL

At positive rotating direction (see dimension)



Connection diagram



LWL-SBR

Fiber-optic transmitter with outdoor box for interference-free transmission of square-wave signals

Article number: 11126092

Dimensions

