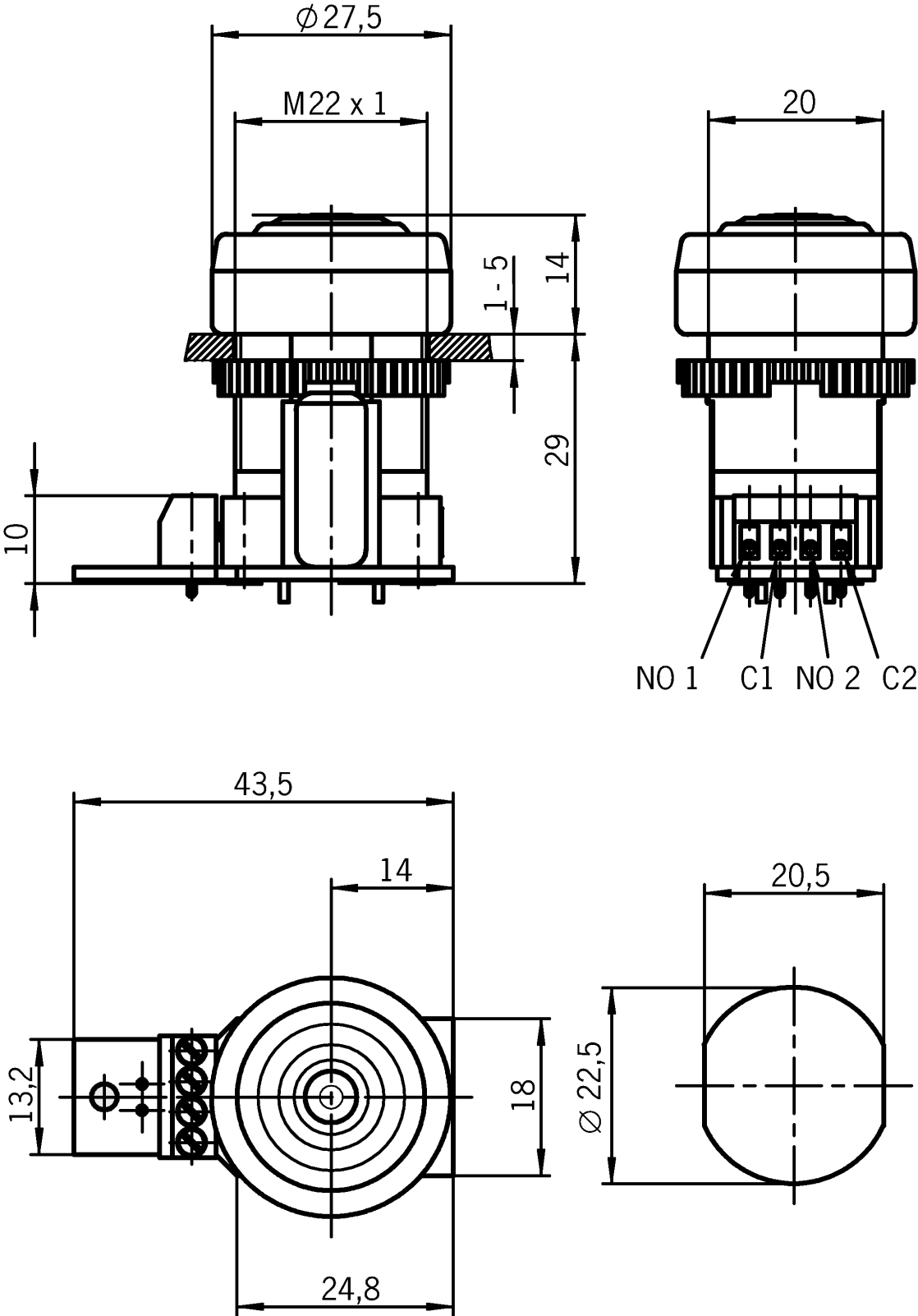
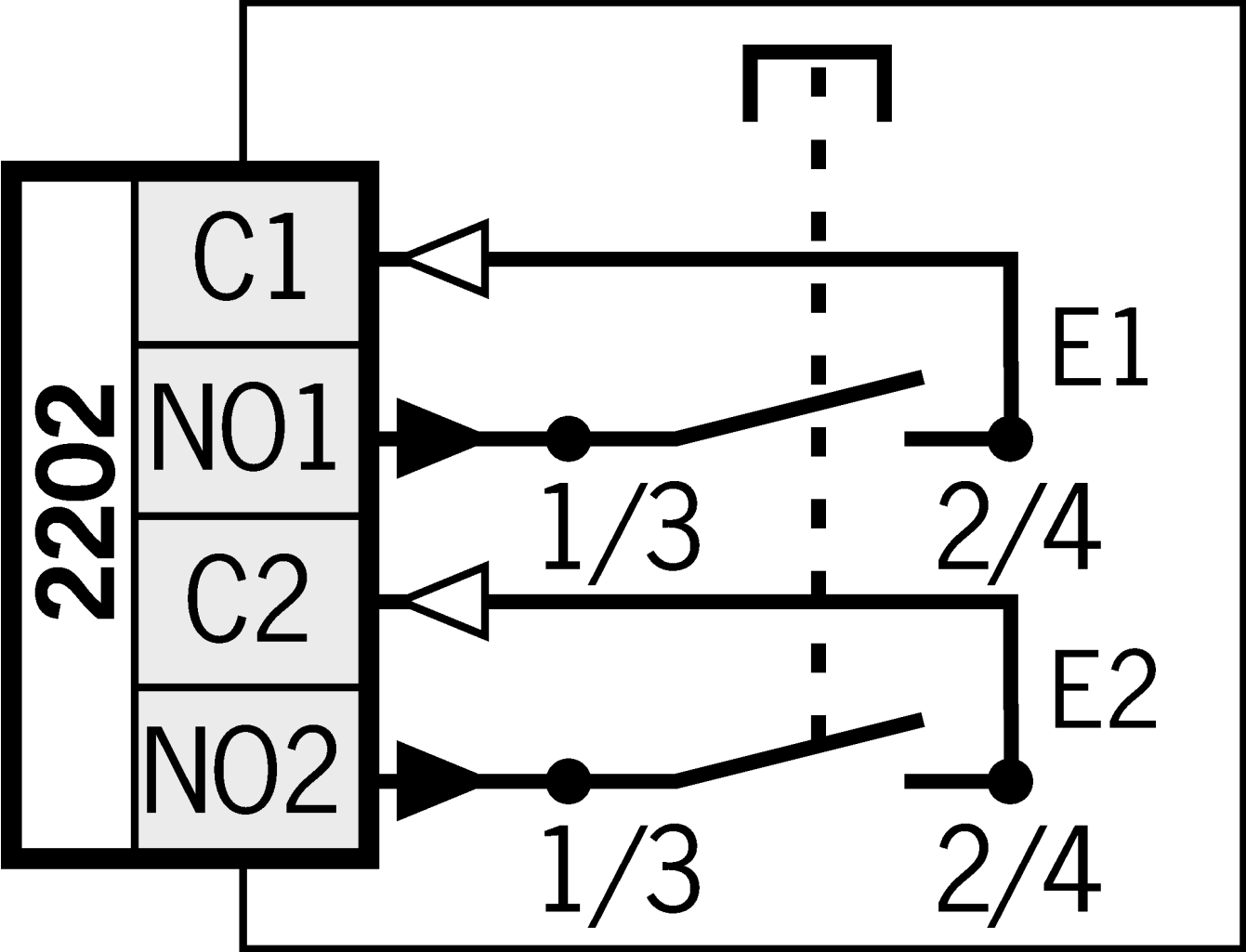


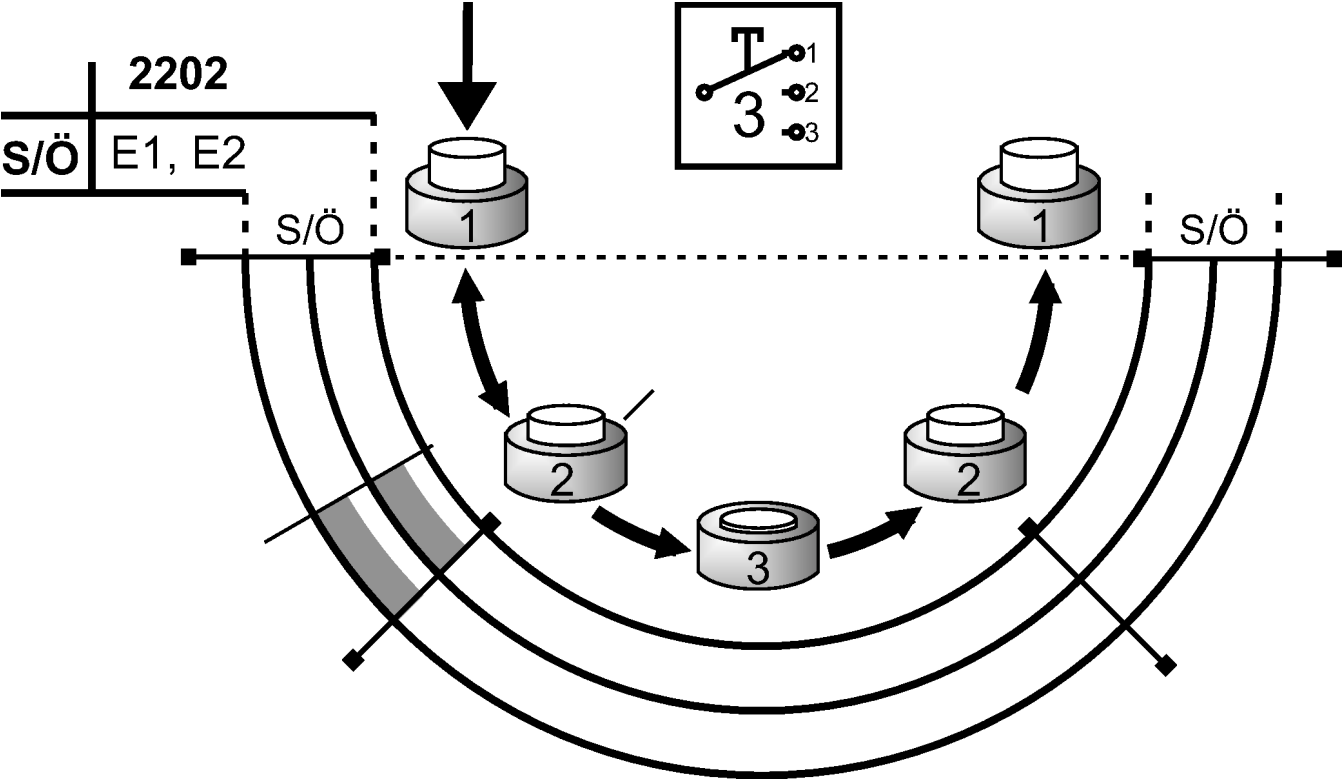
Dimensional drawings






Connection examples



Shift travel diagrams



-  closed, enabling
-  closed
-  open

Technical data

Approvals



Electrical connection values

Fuse		
	external	0.1 A medium slow-blow
Connection cross section		
	multiple conductor	0.33 ... 0.75 mm ²
	single conductor	0.33 ... 1.5 mm ²
Connection cross section AWG		
	multiple conductor	22 ... 18 AWG
	single conductor	22 ... 16 AWG
rated conditional short-circuit current		100 A
Rated insulation voltage U _i		30 V
Rated impulse withstand voltage U _{imp}		1.5 kV
Utilization category		
	DC-13	0.1 A 24 V
Breaking capacity		max. 0.25 W
Switching current		5 ... 100 mA
Degree of contamination (external, according to EN 60947-1)		3
Mechanical values and environment		
Stripping length		5 mm
Connection type		Screw terminal, 4-pin
Number of switching elements		2 Normally open contact
Tightening torque		
	Screws	max. 0.15 Nm
Rated actuating force according to EN 60947-5-8		100

Actuating force max. 50 N
(from stage 2 to 3)

Installation orientation any

Mechanical life

Position 1-2-1 0.1 x 10⁶
Position 1-2-3-1 0.1 x 10⁶

Degree of protection

IP65
(on the front)

IP00
(Connections)

Ambient temperature -5 ... +60 °C

Material

Protective cap CR

Housing Polyamide

Characteristic values according to EN ISO 13849-1 and EN IEC 62061

B_{10D} 0.75 x 10⁶

Miscellaneous

in compliance with DIN EN 60947-5-8

Color

Protective cap black

Housing black

Downloads

All documentation for this material can be found on our website:

<https://www.euchner.de/en-us/a/091336/?#downloads-tab>

Ordering data

Ordernumber	091336
Item designation	ZXE-091336
Gross weight	0,072kg
Customs tariff number	85365019000
ECLASS	27-37-12-38 Agreement switch