

## CEM-A-LE05H-S2-104606 (Order no. 104606)

### Read head CEM-A-LE05H-S2... with guard locking without guard lock monitoring with adjustable adhesive force

- ▶ Read head with guard locking without guard lock monitoring
- ▶ Locking force 650 N
- ▶ Adjustable adhesive force
- ▶ Up to category 4 according to EN ISO 13849-1
- ▶ Two safety screws M5x16 included



### Possible combinations

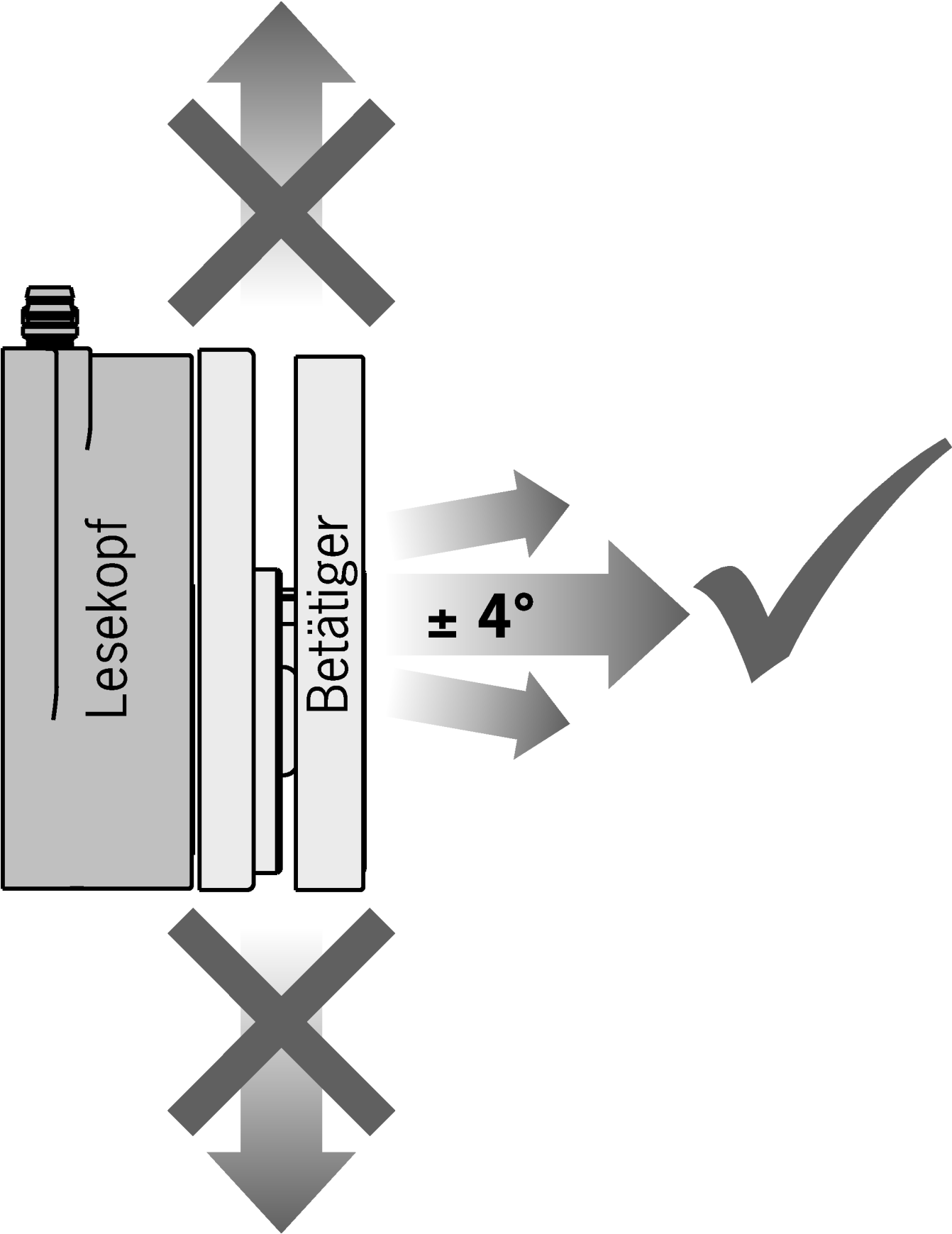
Suitable for connection to a CES-AZ evaluation unit

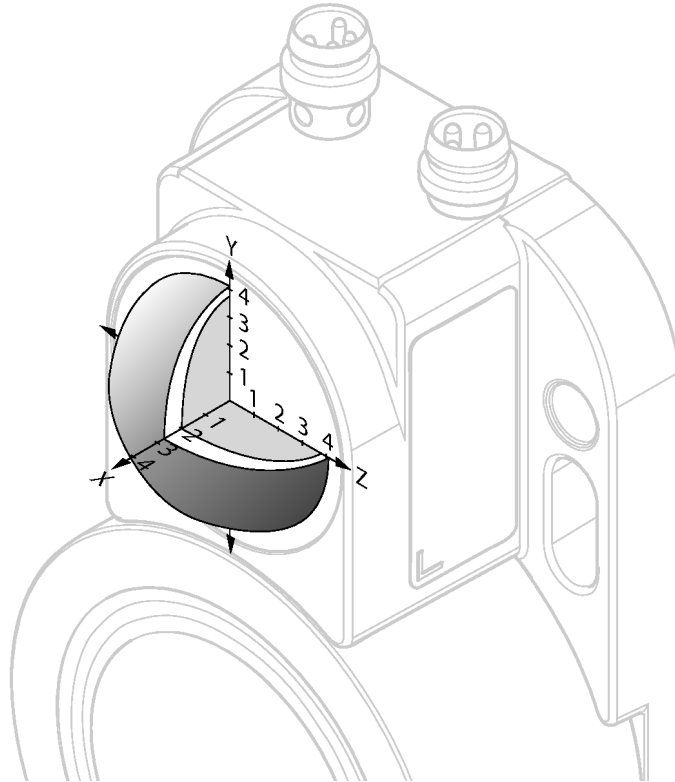
### Adjustable adhesive force

This version has an adhesive force also with the guard locking switched off. In this way it is intended, for example, to prevent the safety door from opening due to vibration or similar. The adhesive force can be adjusted using a programming adapter to 70 N, 110 N or 150 N.

**Important:** To change the preset adhesive force, you will need a programming adapter.

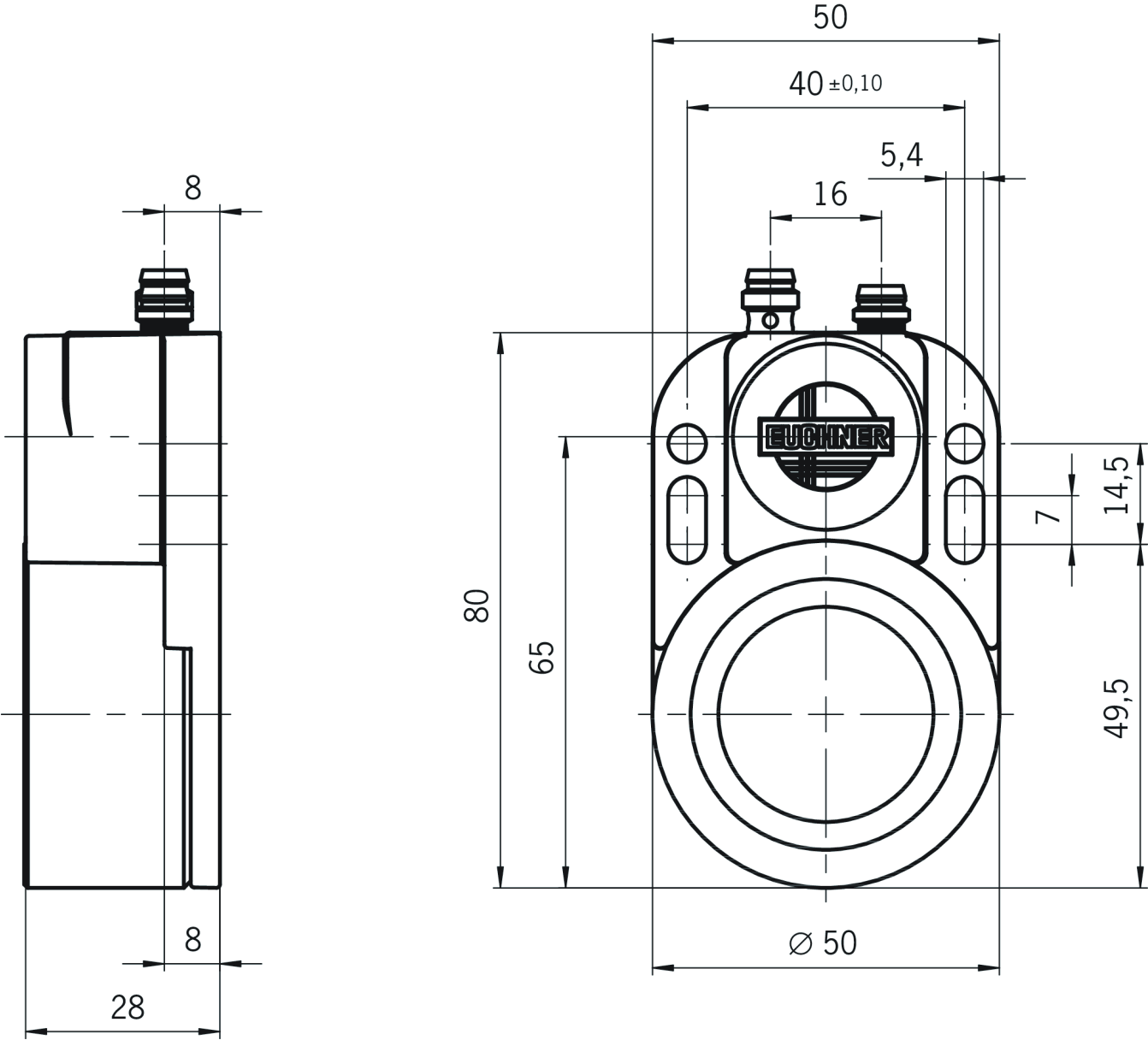
Approach direction



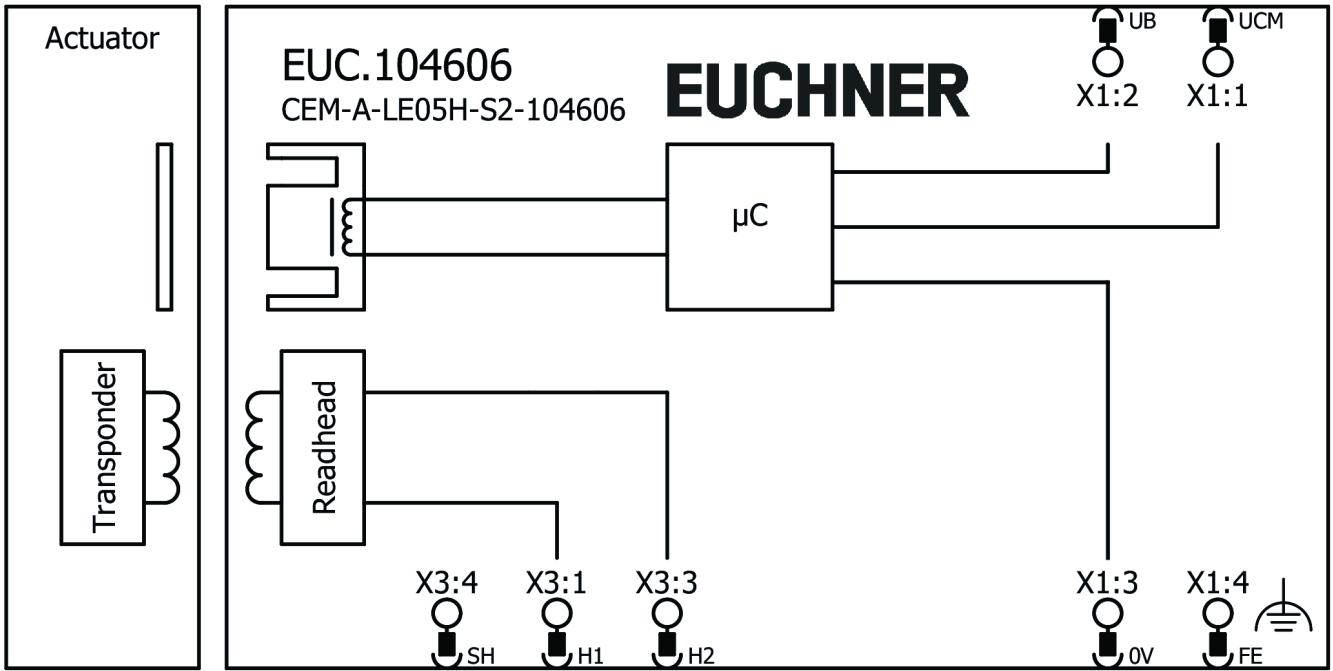
**Typical actuating range**

Note assured release distance  $s_{ar} = 20$  mm for internal component failure. Safety outputs are safely switched off.

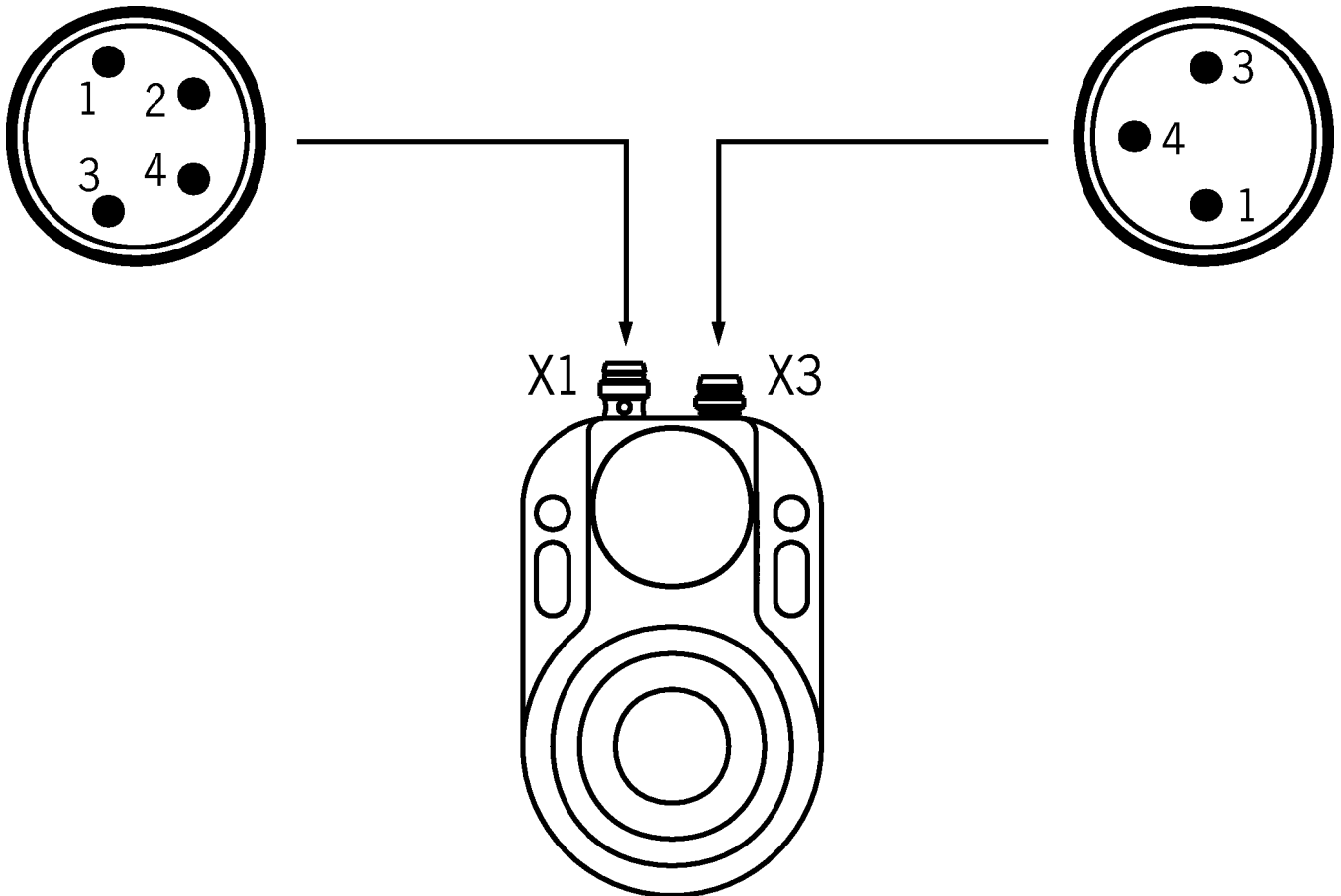
Dimensional drawings



## Connection examples



## Connection examples



CES evaluation unit

X1.1 U

X1.2 NC

X1.30 V/GND

X1.4 Functional earth

X3.1 Data line

X3.3 Data line

X3.4 SH (screen)

## Technical data

### Approvals



### Workspace

Secured switch-off distance $s_{ar}$	max. 20 mm (in combination with evaluation unit CES-A-...B or CES-AZ-...B)
Secured switching distance $s_{ao}$	
with center offset $m=0$	0 mm (in combination with evaluation unit CES-A-...B or CES-AZ-...B)
Center offset	-2.5 ... +2.5 mm
Switching hysteresis	
with center offset $m=0$	0.7 mm (in combination with evaluation unit CES-A-...B or CES-AZ-...B)

### Electrical connection values

Power consumption	2.8 W
Operating voltage DC	
	$U_{CM}$ 24 V DC -15% V DC ... +10% V DC
	$U_B$ 24 V DC -15% ... +10%
Solenoid duty cycle	100 %
Current consumption	
	at $U_{CM}$ at 24 V 10 mA
	at $U_B$ at $U_{CM}=24$ V 100 mA
	at $U_B$ at $U_{CM}=0$ V 25 mA

### Mechanical values and environment

Connection type	
	X3, read head Plug connector M8x1, 3-pin, plug (with snap-action/screw terminal)
	X1, solenoid (yellow LED integrated in the plug) Plug connector M8x1, 4-pin, plug (with snap-action/screw terminal)

Installation orientation	any	
Switching frequency		
	Solenoid	max. 1 Hz
Adhesive force		
	adjustable	70/110/150 (factory setting: 110)
Cable length	max. 25 m	
Mechanical life		
in case of use as door stop, and 1 Joule impact energy	1 x 10 <sup>6</sup>	
Degree of protection	IP67	
Ambient temperature	-25 ... +50 °C	
Material		
	Solenoid	Steel, nickel plated
	Read head	Plastic (PPS)
	Housing	Die-cast aluminum
Locking force F		
(not monitored, in axial direction) at $U_{CM}=24\text{ V}$	650 N	
Guard locking principle	Open-circuit current principle	



## Downloads

All documentation for this material can be found on our website:

<https://www.euchner.de/en-us/a/104606/?#downloads-tab>

**Ordering data**

Ordernumber	104606
Item designation	CEM-A-LE05H-S2-104606
Gross weight	0,432kg
Customs tariff number	85365019000
ECLASS	27-27-24-05 Safety-related transponder switch with guardlocking

## Accessories

### Actuator

#### Actuator CEM-A-BE05



**094805**  
CEM-A-BE05

- ▶ Locking force 650 N
- ▶ Two safety screws M5x16 included

### Bolt

#### Bolt for read heads CEM-A-LE05...



**097955**  
RIEGEL CEM-A

- ▶ Bolt for read heads CEM-A-LE05...
- ▶ Steel bolt
- ▶ For doors hinged on the right
- ▶ Suitable for a door gap of approx. 15 mm



**097957**  
RIEGEL CEM-C

- ▶ Bolt for read heads CEM-A-LE05...
- ▶ Steel bolt
- ▶ For doors hinged on the left
- ▶ Suitable for a door gap of approx. 15 mm

### Connection accessories

#### Connecting cable with angled plug connector M8, 3-pin, 10m



**098590**  
C-M08F03-02X025PU10,0-ES-098590

- ▶ M8 female plug, 3-pin
- ▶ Angled plug connector
- ▶ PUR cable
- ▶ Cable length 10 m
- ▶ With flying lead



**084701**  
C-M08F03-02X025PV10,0-ES-084701

- ▶ M8 female plug, 3-pin
- ▶ Angled plug connector
- ▶ PVC cable
- ▶ Cable length 10 m
- ▶ With flying lead

#### Connecting cable with angled plug connector M8, 3-pin, 25m



**099998**  
C-M08F03-02X025PV25,0-ES-099998

- ▶ M8 female plug, 3-pin
- ▶ Angled plug connector
- ▶ PVC cable
- ▶ Cable length 25 m
- ▶ With flying lead

#### Connecting cable with angled plug connector M8, 4-pin, 10 m



**084703**  
C-M08F04-04X025PV10,0-ES-084703

- ▶ M8 female plug, 4-pin
- ▶ Angled plug connector
- ▶ PVC cable
- ▶ Cable length 10 m
- ▶ With flying lead

## Connecting cable with plug connector M8, 3-pin, 10 m



**084763**

C-M08F03-02X025PU10,0-ES-084763

- ▶ M8 female plug, 3-pin
- ▶ Straight plug connector
- ▶ PUR cable
- ▶ Cable length 10 m
- ▶ With flying lead



**077767**

C-M08F03-02X025PV10,0-ES-077767

- ▶ M8 female plug, 3-pin
- ▶ Straight plug connector
- ▶ PVC cable
- ▶ Cable length 10 m
- ▶ With flying lead

## Connecting cable with plug connector M8, 3-pin, 15 m



**084764**

C-M08F03-02X025PU15,0-ES-084764

- ▶ M8 female plug, 3-pin
- ▶ Straight plug connector
- ▶ PUR cable
- ▶ Cable length 15 m
- ▶ With flying lead

## Connecting cable with plug connector M8, 3-pin, 20 m



**084765**

C-M08F03-02X025PU20,0-ES-084765

- ▶ M8 female plug, 3-pin
- ▶ Straight plug connector
- ▶ PUR cable
- ▶ Cable length 20 m
- ▶ With flying lead



**077716**

C-M08F03-02X025PV20,0-ES-077716

- ▶ M8 female plug, 3-pin
- ▶ Straight plug connector
- ▶ PVC cable
- ▶ Cable length 20 m
- ▶ With flying lead

## Connecting cable with plug connector M8, 3-pin, 25 m



**077717**

C-M08F03-02X025PV25,0-ES-077717

- ▶ M8 female plug, 3-pin
- ▶ Straight plug connector
- ▶ PVC cable
- ▶ Cable length 25 m
- ▶ With flying lead



**084766**

C-M08F03-02X025PU25,0-ES-084766

- ▶ M8 female plug, 3-pin
- ▶ Straight plug connector
- ▶ PUR cable
- ▶ Cable length 25 m
- ▶ With flying lead

## Connecting cable with plug connector M8, 3-pin, 3 m



**077935**

C-M08F03-02X025PV03,0-ES-077935

- ▶ M8 female plug, 3-pin
- ▶ Straight plug connector
- ▶ PVC cable
- ▶ Cable length 3 m
- ▶ With flying lead

## Connecting cable with plug connector M8, 3-pin, 5 m



**077793**

C-M08F03-02X025PV05,0-ES-077793

- ▶ M8 female plug, 3-pin
- ▶ Straight plug connector
- ▶ PVC cable
- ▶ Cable length 5 m
- ▶ With flying lead



**084762**

C-M08F03-02X025PU05,0-ES-084762

- ▶ M8 female plug, 3-pin
- ▶ Straight plug connector
- ▶ PUR cable
- ▶ Cable length 5 m
- ▶ With flying lead

## Connecting cable with plug connector M8, 4-pin, 10 m



**116050**

C-M08F04-04X034PU10,0-ES-116050

- ▶ M8 female plug, 4-pin
- ▶ Straight plug connector
- ▶ PUR cable
- ▶ Cable length 10 m
- ▶ With flying lead



**088814**

C-M08F04-04X025PV10,0-ES-088814

- ▶ M8 female plug, 4-pin
- ▶ Straight plug connector
- ▶ PVC cable
- ▶ Cable length 10 m
- ▶ With flying lead

## Connecting cable with plug connector M8, 4-pin, 15 m



**088815**

C-M08F04-04X025PV15,0-ES-088815

- ▶ M8 female plug, 4-pin
- ▶ Straight plug connector
- ▶ PVC cable
- ▶ Cable length 15 m
- ▶ With flying lead

## Connecting cable with plug connector M8, 4-pin, 20 m



**116051**

C-M08F04-04X034PU20,0-ES-116051

- ▶ M8 female plug, 4-pin
- ▶ Straight plug connector
- ▶ PUR cable
- ▶ Cable length 20 m
- ▶ With flying lead

## Connecting cable with plug connector M8, 4-pin, 25 m



**095035**

C-M08F04-04X025PV25,0-ES-095035

- ▶ M8 female plug, 4-pin
- ▶ Straight plug connector
- ▶ PVC cable
- ▶ Cable length 25 m
- ▶ With flying lead

## Connecting cable with plug connector M8, 4-pin, 5 m



**116049**

C-M08F04-04X034PU05,0-ES-116049

- ▶ M8 female plug, 4-pin
- ▶ Straight plug connector
- ▶ PUR cable
- ▶ Cable length 5 m
- ▶ With flying lead



**088813**  
C-M08F04-04X025PV05,0-ES-088813

- ▶ M8 female plug, 4-pin
- ▶ Straight plug connector
- ▶ PVC cable
- ▶ Cable length 5 m
- ▶ With flying lead

## Function expansion

### Mounting magnet CEM with guard locking



**109755**  
CEM-A-ME05K-S1

- ▶ Solenoid for locking access doors
- ▶ Locking force 650 N
- ▶ With remanence
- ▶ No guard lock monitoring, no monitoring of the door position
- ▶ Connection using an M8 plug connector

## Mounting accessories

### Mounting plate EMP-B-... for actuators CEM-A-BE05... and A-C60...



**100110**  
EMP-B-CEM05

- ▶ For actuators CEM-A-BE05... and A-C60...
- ▶ Material stainless steel

### Mounting plate EMP-L-... for read head CEM-A-LE05...



**099425**  
EMP-L-CEM05

- ▶ For read head CEM-A-LE05...
- ▶ Material stainless steel

## Safety screws M5 x 16

**073456**  
M5X16/V100

- ▶ Safety screws M5 x 16
- ▶ Packaging unit 100 pieces

## miscellaneous accessories

### Programming adapter



**110013**  
CEM-A-ZPS-110013