

RGBF04X16-772L-M (Order no. 086030)

Series RGBF... 16 mm, inductive

- ▶ Proximity switch spacing 16 mm
- ▶ Upright housing according to DIN 43697
- ▶ Degree of protection IP67 according to IEC 60529
- ▶ LED function display



Rated operating distance

With 12 mm proximity switch spacing, the rated operating distance is 2 mm; with 16 mm proximity switch distance it is 5 mm.

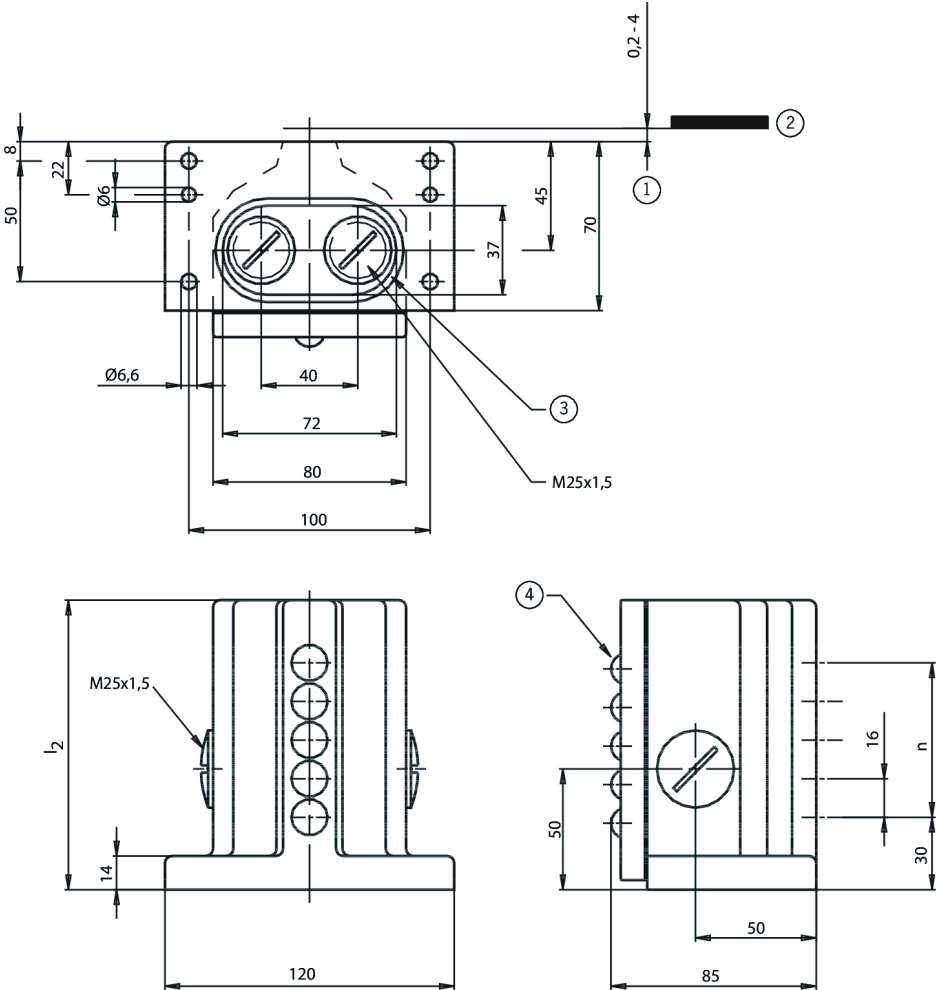
Mixed contact assembly

On request mixed assembly with electromechanical safety switching elements according to IEC 60947-5-1 is possible for 12 mm proximity switch spacing.

LED function display

DC and AC switching elements are equipped as standard with a function display on the switching element (yellow). The function display can be seen from the exterior.

Dimensional drawings

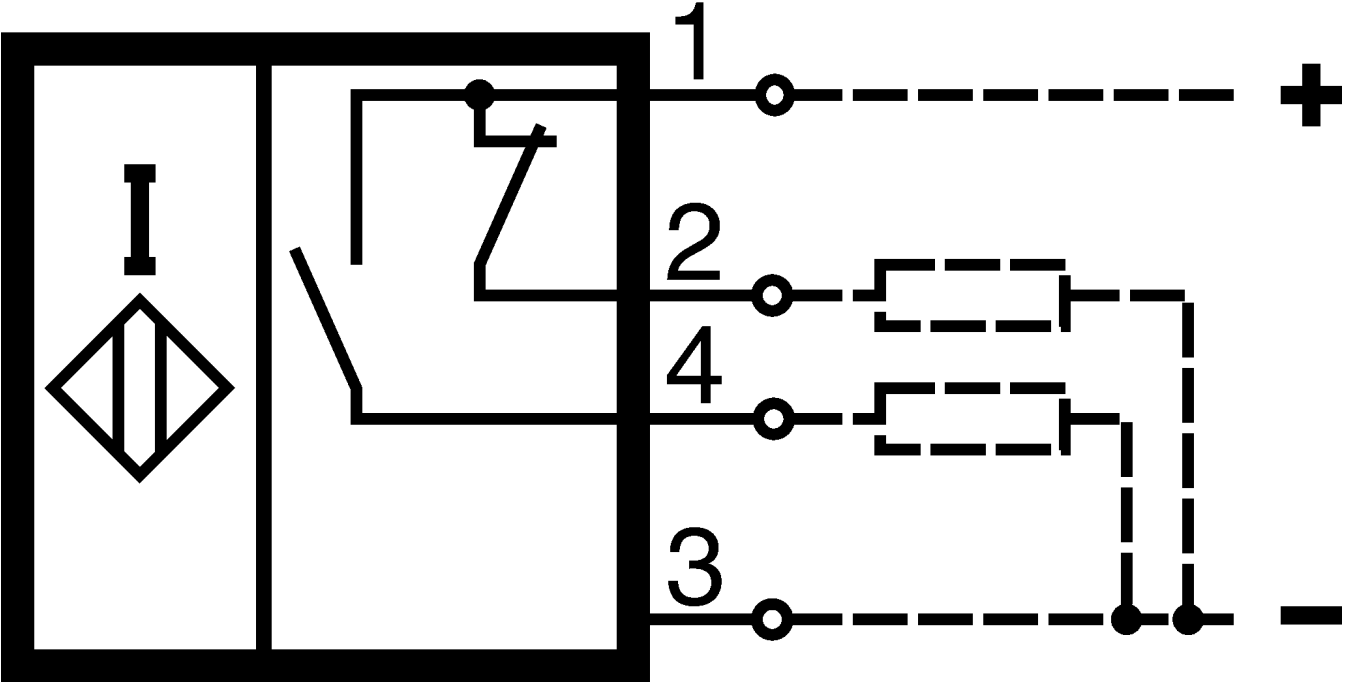


12	240
10	200
8	170
6	140
5	120
4	105
3	90
2	70
n ⑤	l ₂

1 Working operating distances: dimension applies only to steel. With ferrite dogs working operating distances 0.2 –0.7

- 2 Actuator
- 3 Groove with sealing ring
- 4 LED indicator
- 5 Number of stations

Connection examples



Technical data

Approvals



Workspace

Rated operating distances S_n	5 mm
Assured operating distances S_a	0 ... 4 mm (Dimension applies only to steel (ST37) and to EUCHNER trip dogs of series UX../GX..)
Switching hysteresis	max. 0.5 mm
Repeat accuracy R	according to EN 60947-5-2 max. 5 %

Operating and display elements

LED display	yes
-------------	-----

Electrical connection values

Connection cross section	0.34 ... 1.5 mm ² (Screw terminals)
Output type	PNP
Rated operating current I_e	250 mA
Rated insulation voltage U_i	DC 60 V
Operating voltage	DC 10 ... 55 V
EMC protection requirements	EN IEC 60947-5-2
Utilization category	DC-12 DC-13 (The output is to be protected with a free-wheeling diode for inductive loads.)
Short circuit and overload protection, pulsed	yes

No-load current I_0	15
Off-state current I_r	max. 0.001 mA
Residual ripple	max. 10 %
Voltage drop U_d	max. 2.5 V
Reverse polarity protection	yes

Mechanical values and environment

Connection type	4 x M25 x 1.5
Number of NC contacts/NO contacts (NO + NC)	4
Number of switching elements	4
Design	upright, according to DIN 43697
Switching frequency	max. 500 Hz
Proximity switch spacing	16 mm
Switching principle	NO + NC
Degree of protection	IP67
Ambient temperature	-25 ... +70 °C
Material	
Active face	PBT
Housing	Die-cast aluminum

Miscellaneous

Additional information	(Switching elements with 5 mm operating distances (16 mm proximity switch spacing) are supplied with two different oscillator frequencies to avoid mutual interference. Multiple limit switches must therefore be assembled alternately with these switching elements.)
------------------------	---

Downloads

All documentation for this material can be found on our website:

<https://www.euchner-usa.com/en-us/a/086030/?#downloads-tab>

Ordering data

Ordernumber	086030
Item designation	RGBF04X16-772L-M
Gross weight	0,828kg
European Article Number (EAN)	4047048000278
Customs tariff number	85365019000
ECLASS	27-27-06-02 Multi-position switch