

## ES-FB1W-XW1E-LV412Q4MFR-YO-1C2514 (Order no. 162943)

### Emergency stop ES-FB..-XW devices with housing, M12, 5-pin.

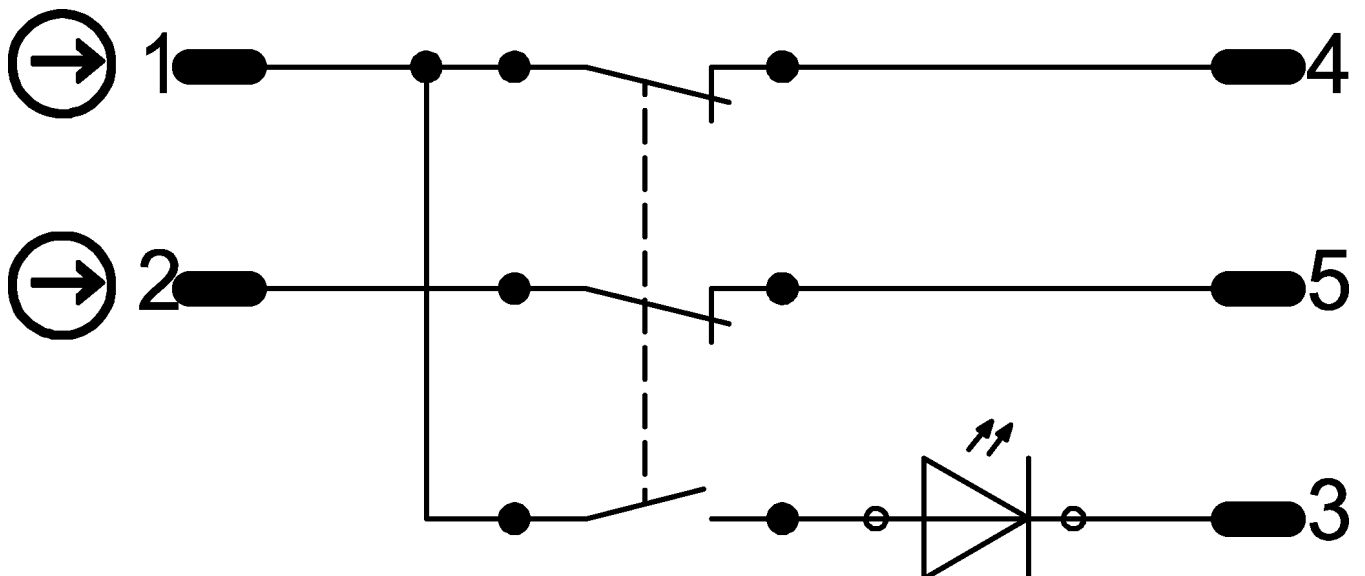
- ▶ Button head, red, 40 mm ø
- ▶ Contact block monitoring
- ▶ Connection via plug connector M12, 5-pin
- ▶ Reset by pulling or turning
- ▶ Housing
- ▶ illuminated



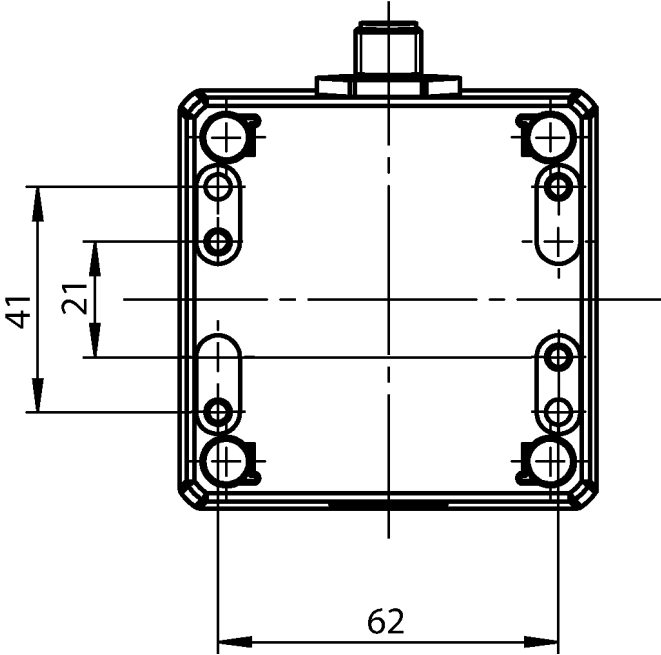
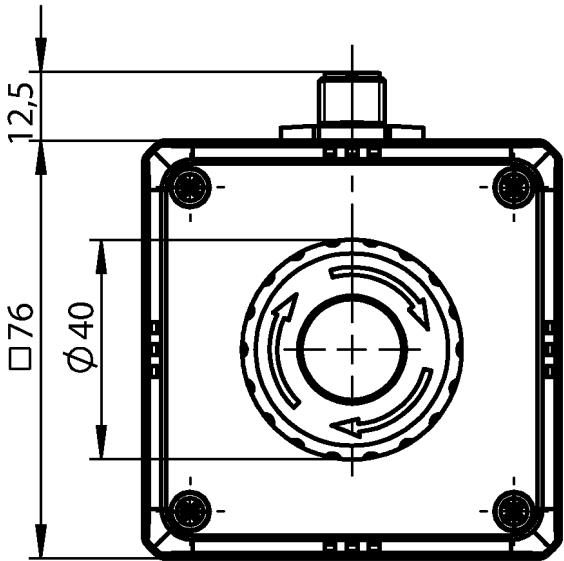
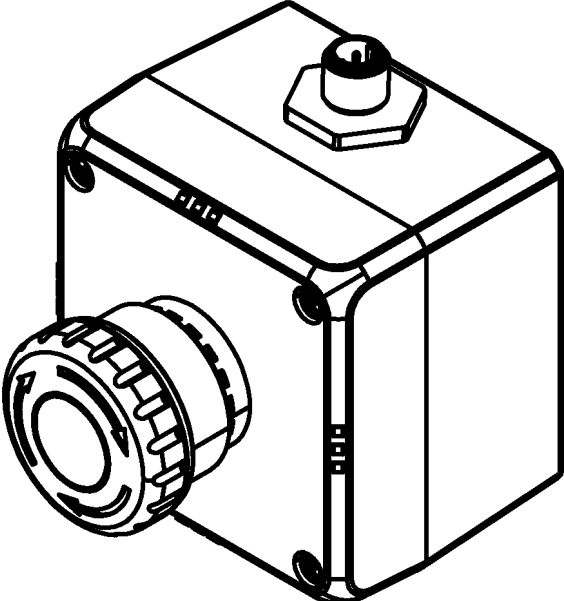
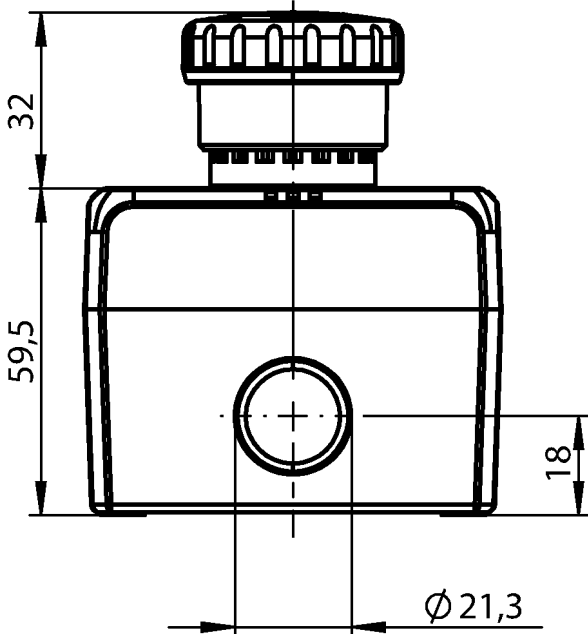
### Switching element

- ▶ 2NC  $\rightarrow$  + 1 NO

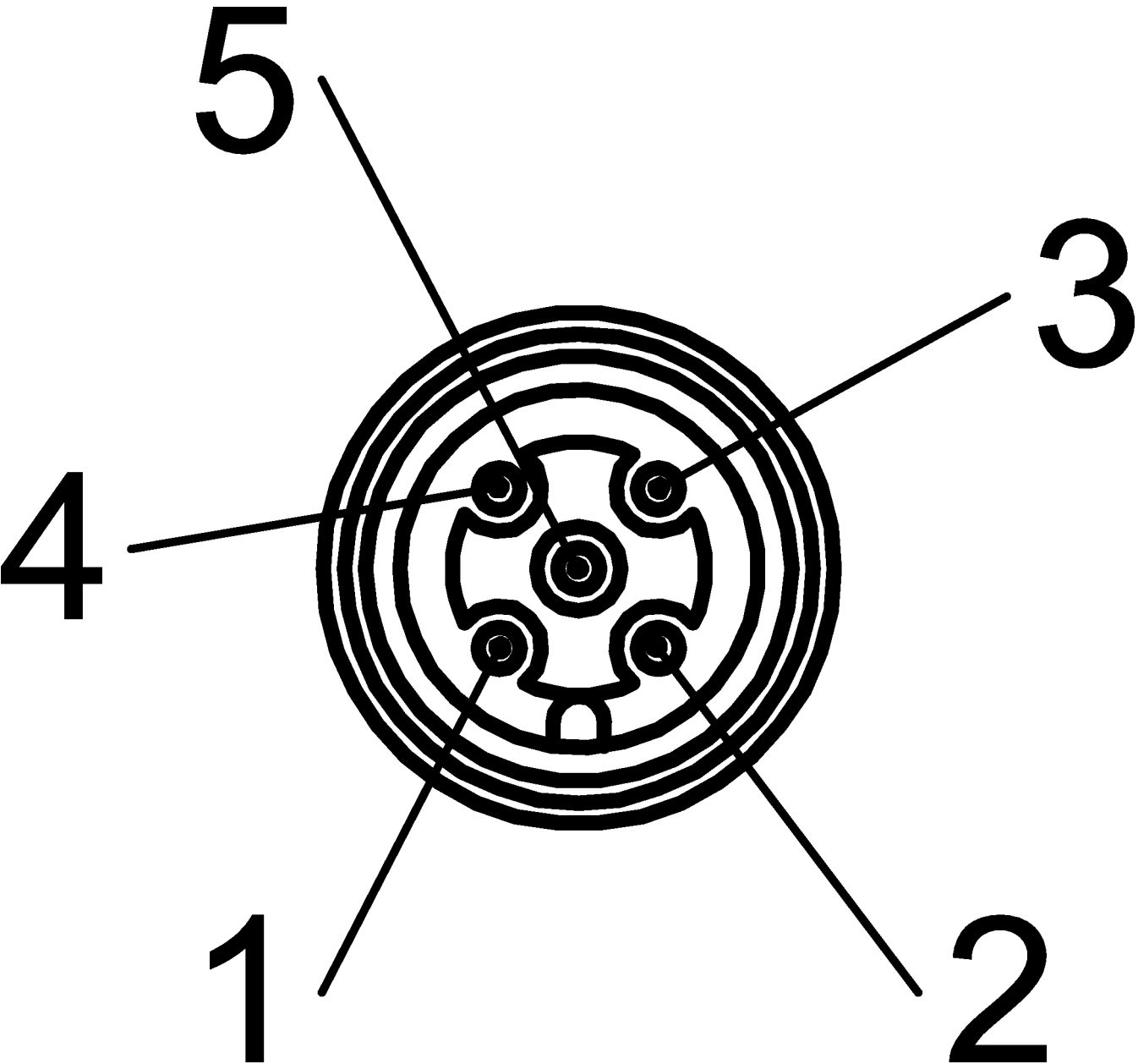
### Functional drawings



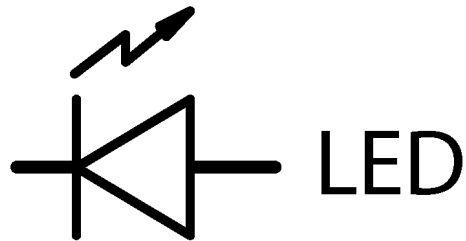
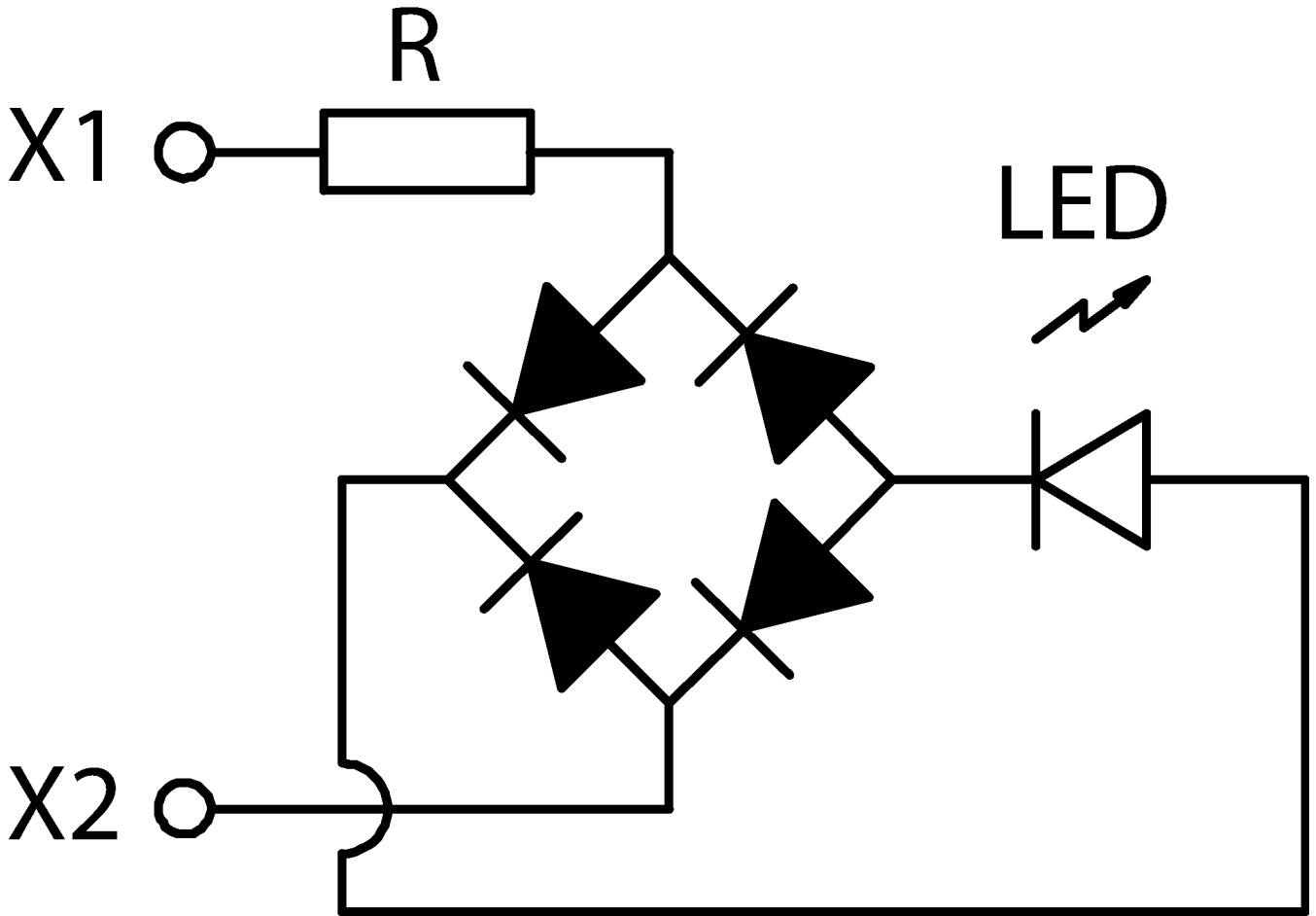
Dimensional drawings



Dimensional drawings



Connection examples



## Technical data

### Approvals



### Electrical connection values

Rated insulation voltage $U_i$	50 V
Operating voltage	AC/DC -10% ... 24 ... +10% V
Operating current	15 mA
Utilization category	
DC-13 Normally closed contact	1 A 30 V
DC-14 Normally open contact	0.3 A 50 V
AC-15 Normally closed contact	1.5 A 50 V
Switching current	
min. at 24 V	10 mA
thermal rated current $I_{th}$	1 A

### Mechanical values and environment

Connection type	Plug connector M12 (5-pin (without PE))
Number of NO contacts	1
Number of positively driven contacts	2
Mechanical life	$0.25 \times 10^6$
Degree of protection	IP65
Ambient temperature	-25 ... +55 °C
Material	
Pushbutton	Reinforced thermoplastic
Housing	Polycarbonate
Contact	Silver alloy, gold flashed

## Characteristic values according to EN ISO 13849-1 and EN IEC 62061

	B10 <sub>D</sub>	Mission time
Emergency stop	0.1x10 <sup>6</sup>	20 y

## Miscellaneous

Lighting	yes
Color	
Bottom part	Yellow
Actuating button	red transparent
Additional feature	
	Reset by pulling or turning
	Button head Ø 40 mm
	Device with housing
	Contact block monitoring

## Downloads

All documentation for this material can be found on our website:

<https://www.euchner.de/en-us/a/162943/?#downloads-tab>

**Ordering data**

Ordernumber	162943
Item designation	ES-FB1W-XW1E-LV412Q4MFR-YO-1C2514
Gross weight	0,26kg
Customs tariff number	85365019000
ECLASS	27-37-12-44 EMERGENCY-STOP pushbutton, complete device



## Accessories

### Mounting accessories

#### Emergency stop plate – blank – for 40 mm buttons on ES-XW devices



**157255**  
ES-HWAV-0

- ▶ Emergency stop plate – blank – for 40 mm buttons on ES-XW devices

#### Plate for emergency stop ES-XW



**106340**  
ES-HWAV-27

- ▶ Emergency stop plate for 40 mm buttons on ES-XW devices with text “Emergency Stop”