

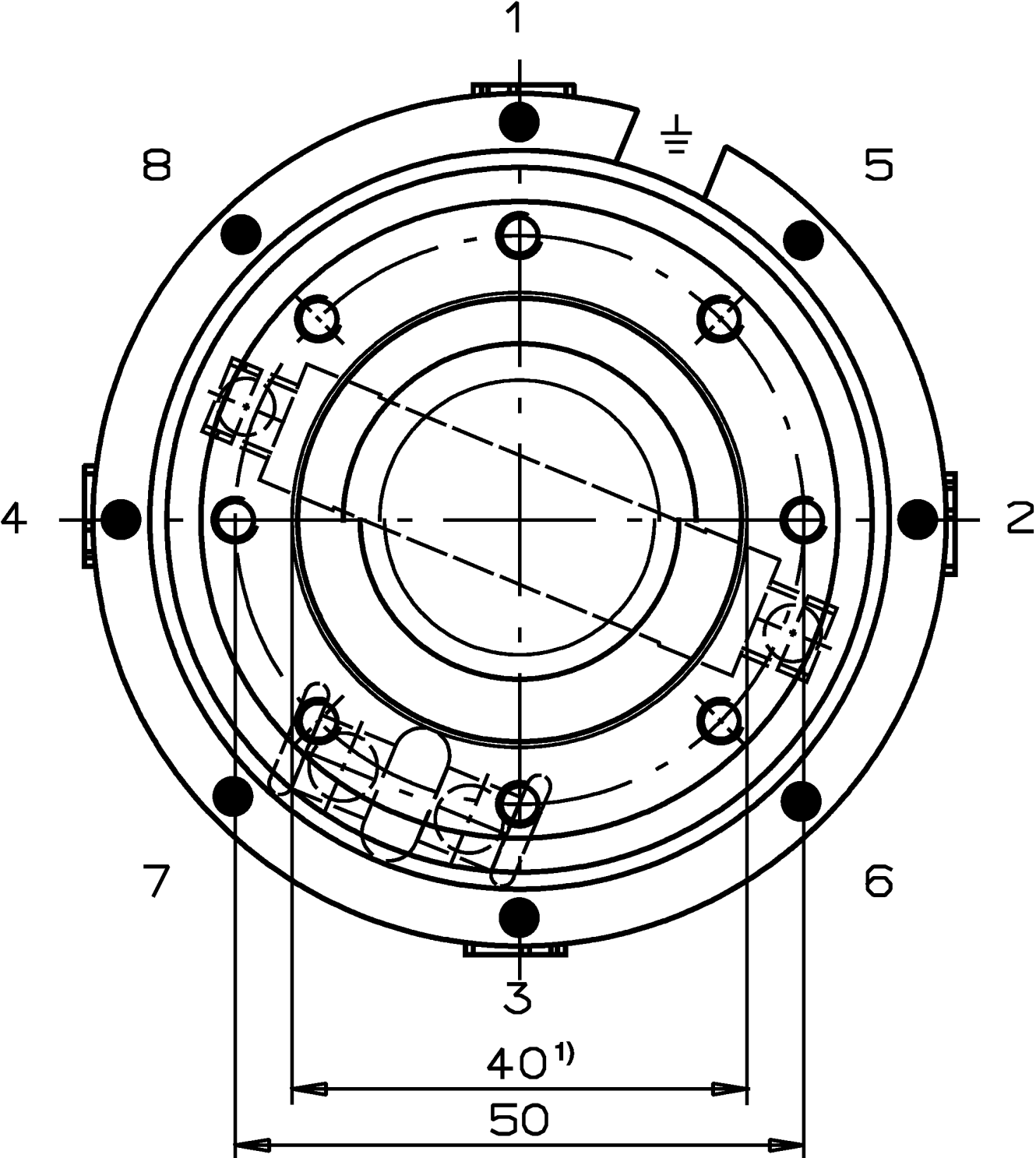
## WET1234DFW (Order no. 034229)

### Series WE...

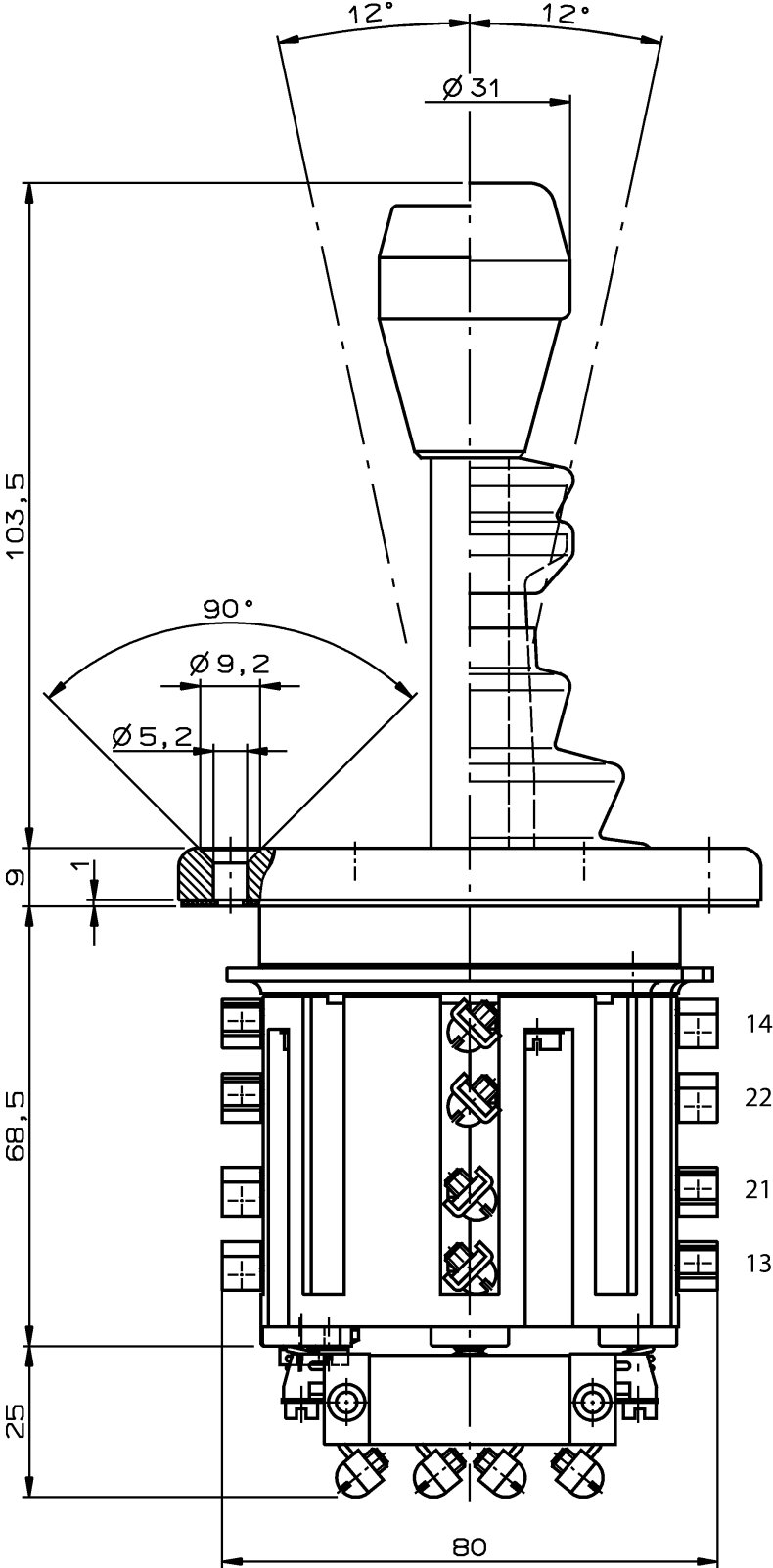
- ▶ Control panel installation at rear or with front plate
- ▶ Pushbutton with actuating directions 1-4
- ▶ One changeover contact with screw terminal for each actuating direction
- ▶ Bellows
- ▶ Pushbutton in handle
- ▶ Front panel



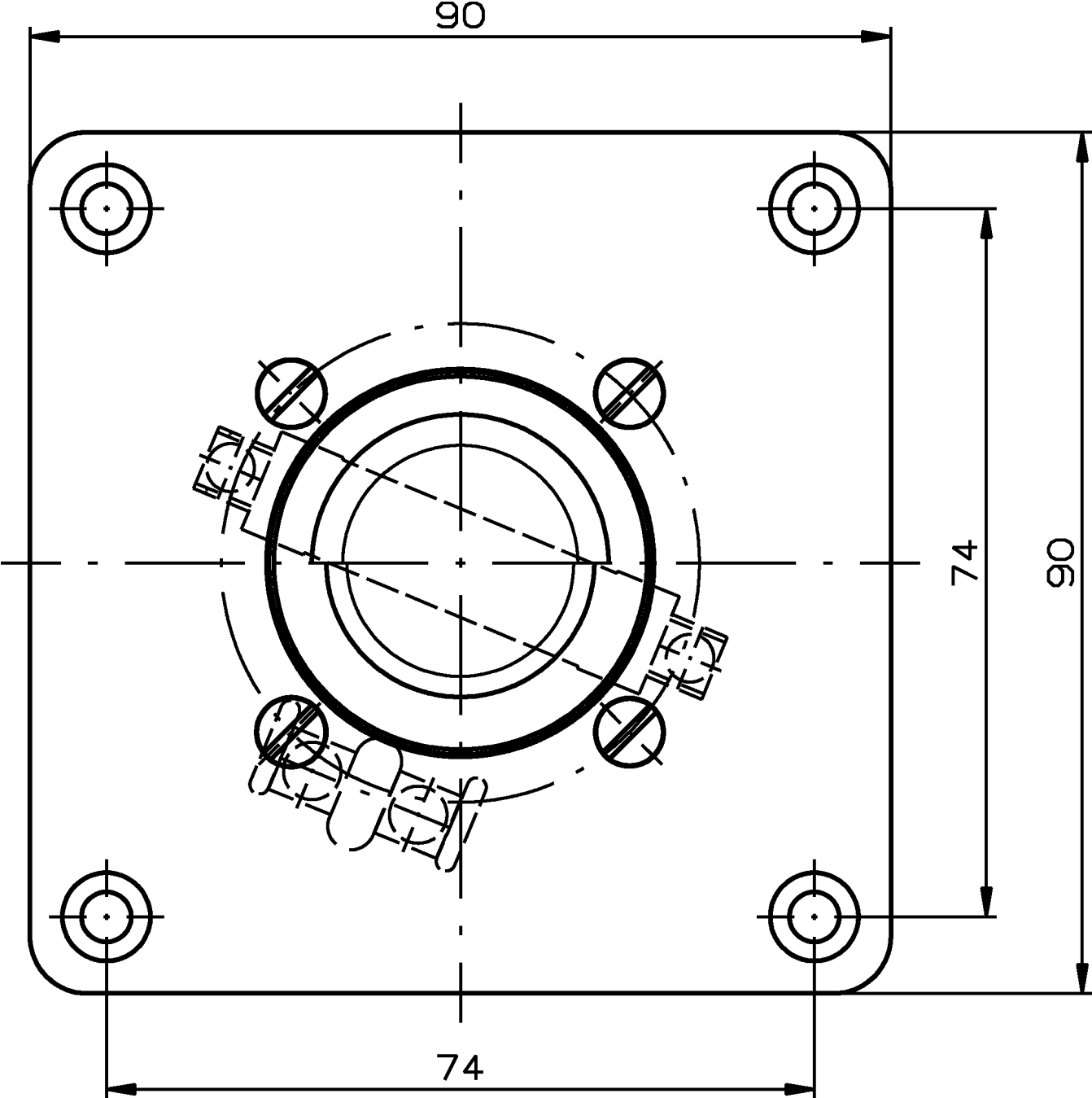
Functional drawings



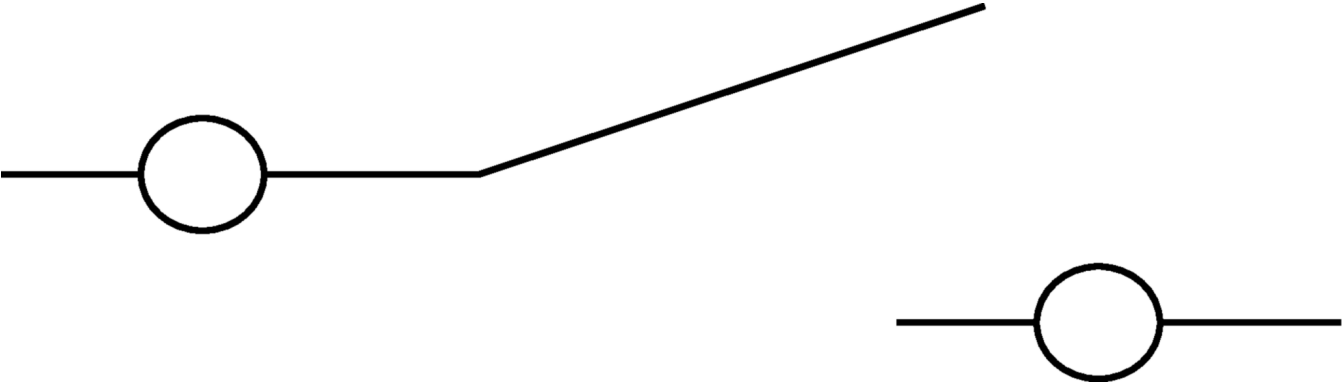
**Dimensional drawings**



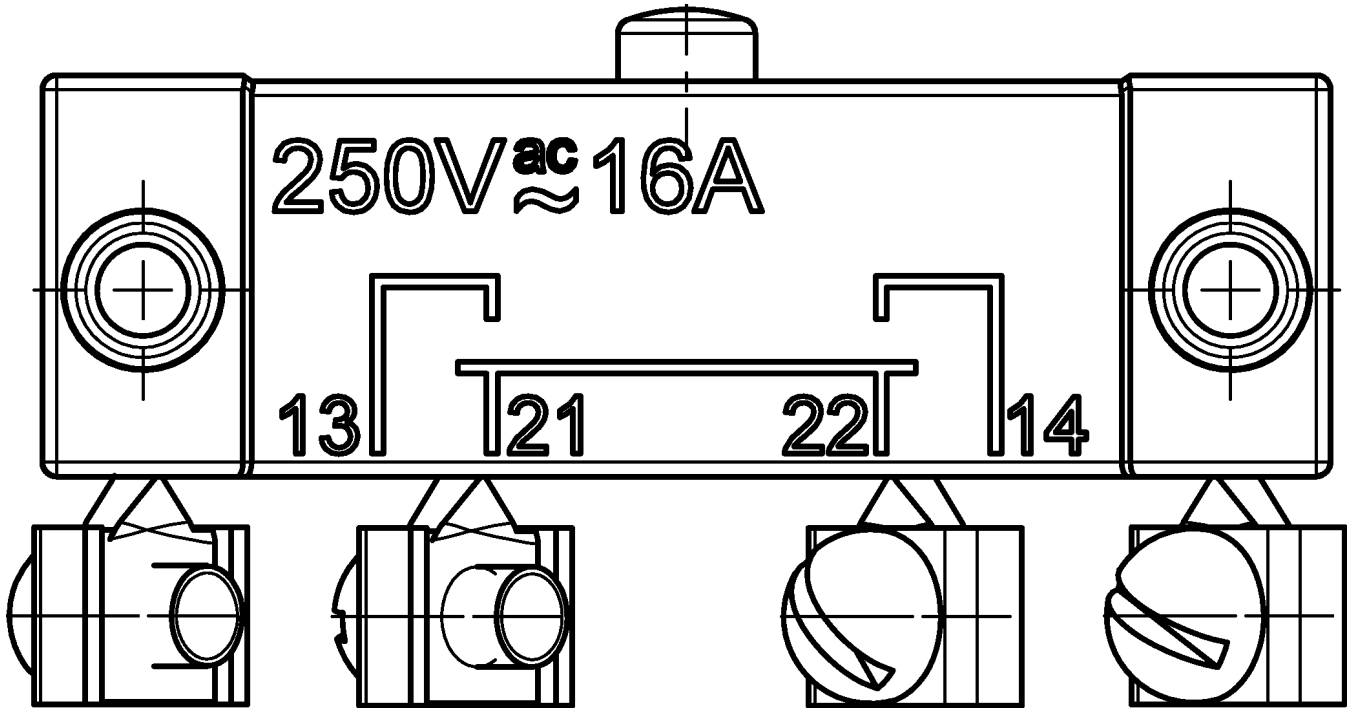
Dimensional drawings



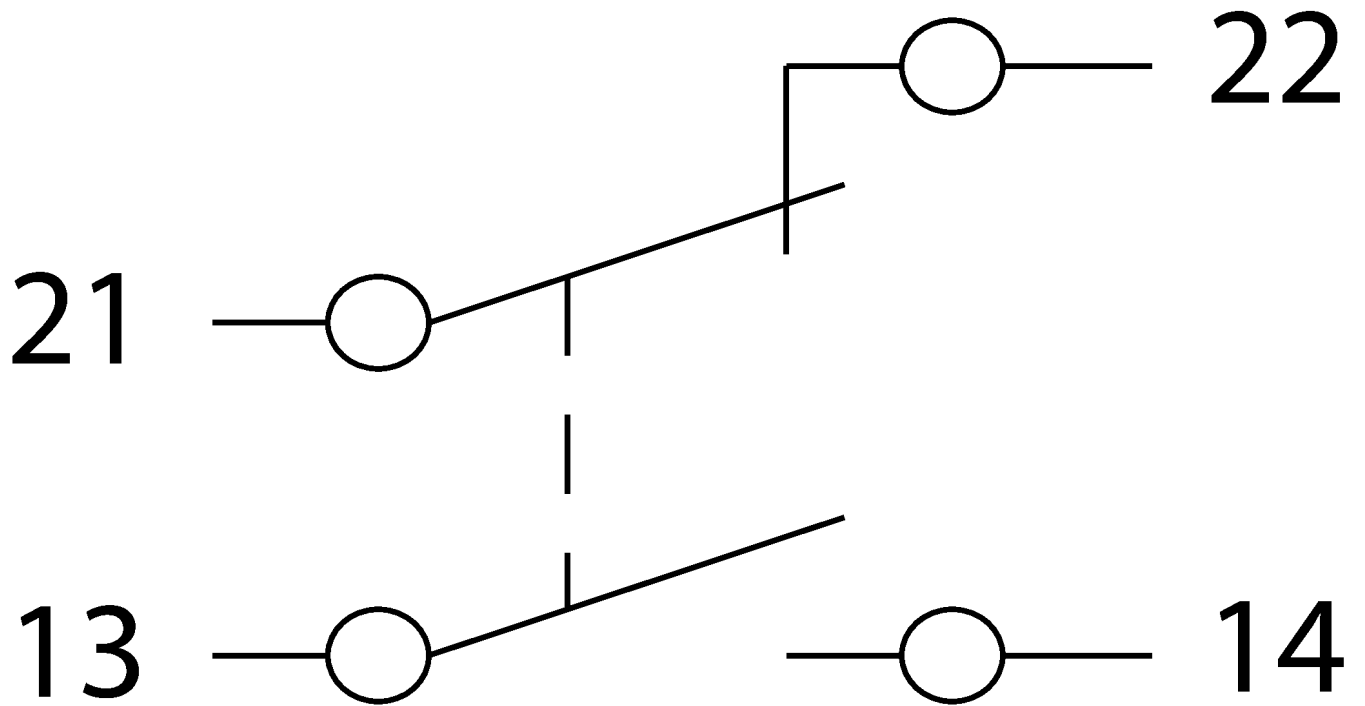
Connection examples



Connection examples



Connection examples



## Technical data

### Approvals



### Electrical connection values

Rated insulation voltage $U_i$	250 V
Rated impulse withstand voltage $U_{imp}$	2.5 kV
Utilization category	
	AC-15 230 V 10 A
	DC-13 24 V 4 A
Short circuit protection according to IEC 60269-1	T16/F25
Switching voltage	min. 24 V
Switching current	
	(at 24 V) min. 50 mA

### Pushbutton in handle

Utilization category	
	AC-15 230 V 2 A
	DC-13 24 V 1 A
Switching voltage	min. 10 V
Switching current	
	(at 24 V) min. 12 mA

### Mechanical values and environment

Connection type	Screw terminal
Number of monitoring contacts	4 (4 directions)
Actuating directions	4 (Pushbutton)
Mechanical life	$1 \times 10^6$

Mounting type	1x hole 42 and 8x 4.5 for M4 (see drawing)
Switching principle	Changeover contact ZA, IEC 947-5-1 (Snap-action contact element, design ES502V1)
Degree of protection	
on the front with bellows	IP65
Ambient temperature	-5 ... +65 °C
Material	
Contact	Silver alloy
Switching lever	galvanized steel
Bellows	elastomer, black (Low PAH)
Housing	thermoplastic/aluminum
<b>Pushbutton in handle</b>	
Actuating force	max. 8 N
Mechanical life	
(at 0.7A / 250V AC)	0.05 x 10 <sup>6</sup>
Switching principle	1 contact

## Miscellaneous

Additional feature	
Bellows	
Front panel	
Pushbutton in handle	

## Downloads

All documentation for this material can be found on our website:

<https://www.euchner-usa.com/en-us/a/034229/?#downloads-tab>



**Ordering data**

Ordernumber	034229
Item designation	WET1234DFW
Gross weight	0,645kg
Customs tariff number	85365019000
ECLASS	27-37-14-04 Control switch, joystick