

MGB2-L1H-MLI-U-CA-L-161929 (Order no. 161929)

Locking set MGB2-L1... (3 pushbuttons, M12 plug connector for enabling switch, closed-circuit current principle, door hinge on left)

- ▶ Guard locking with guard lock monitoring
- ▶ 3 illuminated pushbuttons
- ▶ M12 plug connector for enabling switch
- ▶ Adjustable door hinge; factory setting: left
- ▶ Unicode
- ▶ For connection to any bus module MBM
- ▶ Remote or direct mounting of bus module MBM



Guard locking type

MGB2- Guard locking by spring force. Release by applying voltage to the guard locking solenoid.
L1... (closed-circuit current principle)

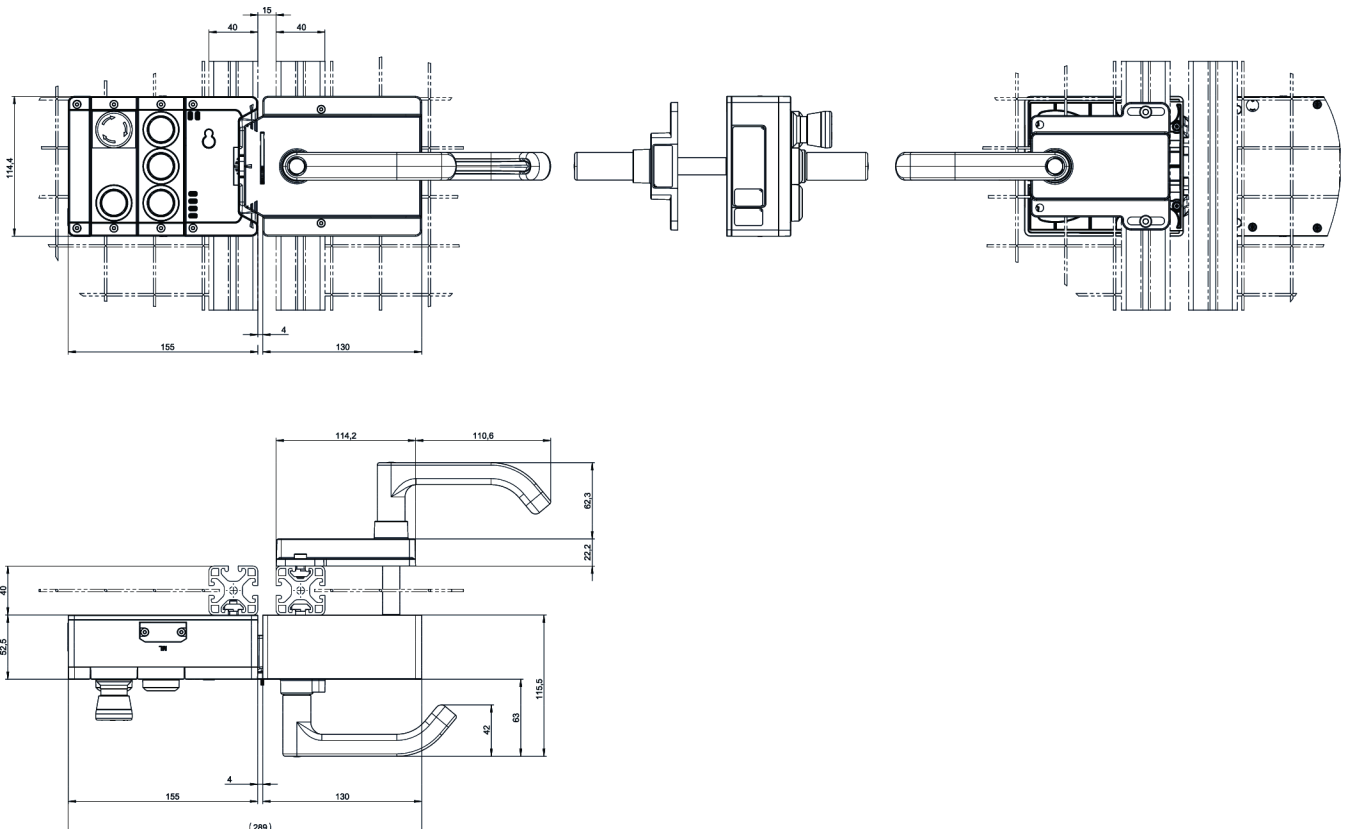
Flexible connection to any bus module MBM

The locking set can be connected to any bus module MBM, making it the ideal choice for supplementing or expanding existing systems.

Remote mounting

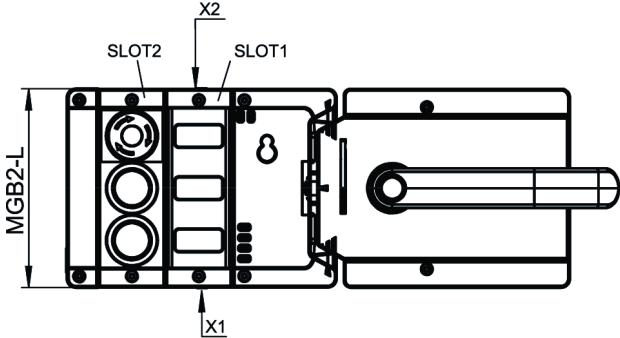
If space is limited, the bus module can be remotely mounted on the locking set.

Dimensional drawings

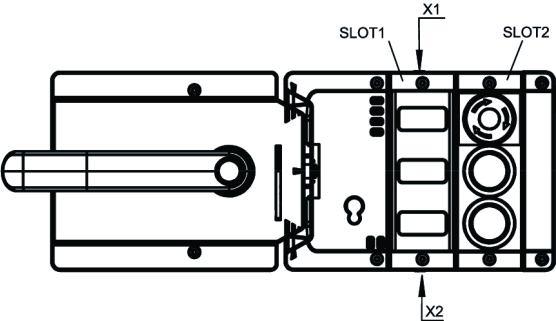


Dimensional drawings

...-R-...



...-L-...



Components



161926

MGB2-L1-MLI-U-YD8A6-CA-L-161926

Locking module MGB2-L1-MLI... (3 pushbuttons, M12 plug connector for enabling switch, closed-circuit current principle, door hinge on left)

- ▶ Guard locking for the protection of persons or processes
- ▶ Locking module MGB2 for connection to a bus module MBM
- ▶ Interlocking with monitored guard locking
- ▶ Category 4/PL e for the evaluation of all safety functions
- ▶ 3 illuminated pushbuttons
- ▶ M12 plug connector for enabling switch
- ▶ Adjustable door hinge; factory setting: left
- ▶ Unicode
- ▶ Compatible with all Modular devices



156394

MGB2-H-BA1A3-L-156394

Handle module MGB2-H... (door handle, with automatic lockout mechanism, door hinge on left)

- ▶ Intelligent bolt tongue
- ▶ Fold-out lockout mechanism
- ▶ Second automatically extending lockout mechanism
- ▶ Door handle
- ▶ Adjustable door hinge; factory setting: left

Technical data

Approvals



Locking modules MGB2-L1-MLI-U-YD8A6-CA-L-161926 (Order no. 161926)



Mechanical values and environment

| | |
|--------------------------|---------------------|
| Installation orientation | Door hinge DIN left |
|--------------------------|---------------------|

Handle modules MGB2-H-BA1A3-L-156394 (Order no. 156394)



Mechanical values and environment

| | |
|--------------------------|---------------------|
| Installation orientation | Door hinge DIN left |
|--------------------------|---------------------|

| | |
|----------------------|------|
| Degree of protection | IP65 |
|----------------------|------|

| | |
|---------------------|----------------|
| Ambient temperature | -30 ... +55 °C |
|---------------------|----------------|

Material

| | |
|---------|--|
| Housing | Fiber glass reinforced plastic, nickel-plated die-cast zinc, stainless steel |
|---------|--|

Miscellaneous

| | |
|------------------------|--------|
| Product version number | V1.0.0 |
|------------------------|--------|

| | |
|--------------------|----------------------------------|
| Additional feature | with automatic lockout mechanism |
|--------------------|----------------------------------|

Downloads

All documentation for this material can be found on our website:

<https://www.euchner.de/en-us/a/161929/?#downloads-tab>

Ordering data

| | |
|-----------------------|---|
| Ordernumber | 161929 |
| Item designation | MGB2-L1H-MLI-U-CA-L-161929 |
| Gross weight | 2,615kg |
| Customs tariff number | 85365019000 |
| ECLASS | 27-27-24-05 Safety-related transponder switch with guardlocking |

Accessories

Connection material

Connecting cable with 2 plug connectors M12, 5-pin, 1.5 m, AIDA standard



159356
C-M12F05-05X034PU01,5-M12M05-159356

- ▶ M12 female plug to M12 plug connector, 5-pin
- ▶ Straight female plug and plug connector
- ▶ Connecting cable according to AIDA standard
- ▶ PUR cable, sheath color gray
- ▶ Cable length 1.5 m



159363
C-M12F05-05X034PU01,5-M12M05-159363

- ▶ M12 female plug to M12 plug connector, 5-pin
- ▶ Straight female plug and plug connector
- ▶ Connecting cable according to AIDA standard
- ▶ PUR cable, sheath color yellow
- ▶ Cable length 1.5 m

Connecting cable with 2 plug connectors M12, 5-pin, 10 m



119947
C-M12F05-05X034PU10,0-M12M05-119947

- ▶ M12 female plug to M12 plug connector, 5-pin
- ▶ Straight female plug and plug connector
- ▶ PUR cable
- ▶ Cable length 10 m

Connecting cable with 2 plug connectors M12, 5-pin, 10 m, AIDA standard



159360
C-M12F05-05X034PU10,0-M12M05-159360

- ▶ M12 female plug to M12 plug connector, 5-pin
- ▶ Straight female plug and plug connector
- ▶ Connecting cable according to AIDA standard
- ▶ PUR cable, sheath color gray
- ▶ Cable length 10 m



159920
C-M12F05-05X034PU10,0-M12M05-159920

- ▶ M12 female plug to M12 plug connector, 5-pin
- ▶ Straight female plug and plug connector
- ▶ Connecting cable according to AIDA standard
- ▶ PUR cable, sheath color yellow
- ▶ Cable length 10 m

Connecting cable with 2 plug connectors M12, 5-pin, 15 m, AIDA standard



159361
C-M12F05-05X034PU15,0-M12M05-159361

- ▶ M12 female plug to M12 plug connector, 5-pin
- ▶ Straight female plug and plug connector
- ▶ Connecting cable according to AIDA standard
- ▶ PUR cable, sheath color gray
- ▶ Cable length 15 m



159921
C-M12F05-05X034PU15,0-M12M05-159921

- ▶ M12 female plug to M12 plug connector, 5-pin
- ▶ Straight female plug and plug connector
- ▶ Connecting cable according to AIDA standard
- ▶ PUR cable, sheath color yellow
- ▶ Cable length 15 m

Connecting cable with 2 plug connectors M12, 5-pin, 1 m, AIDA standard



159355
C-M12F05-05X034PU01,0-M12M05-159355

- ▶ M12 female plug to M12 plug connector, 5-pin
- ▶ Straight female plug and plug connector
- ▶ Connecting cable according to AIDA standard
- ▶ PUR cable, sheath color gray
- ▶ Cable length 1 m



159362

C-M12F05-05X034PU01,0-M12M05-159362

- ▶ M12 female plug to M12 plug connector, 5-pin
- ▶ Straight female plug and plug connector
- ▶ Connecting cable according to AIDA standard
- ▶ PUR cable, sheath color yellow
- ▶ Cable length 1 m

Connecting cable with 2 plug connectors M12, 5-pin, 20 m



119971

C-M12F05-05X034PU20,0-M12M05-119971

- ▶ M12 female plug to M12 plug connector, 5-pin
- ▶ Straight female plug and plug connector
- ▶ PUR cable
- ▶ Cable length 20 m

Connecting cable with 2 plug connectors M12, 5-pin, 3 m, AIDA standard



159357

C-M12F05-05X034PU03,0-M12M05-159357

- ▶ M12 female plug to M12 plug connector, 5-pin
- ▶ Straight female plug and plug connector
- ▶ Connecting cable according to AIDA standard
- ▶ PUR cable, sheath color gray
- ▶ Cable length 3 m



159364

C-M12F05-05X034PU03,0-M12M05-159364

- ▶ M12 female plug to M12 plug connector, 5-pin
- ▶ Straight female plug and plug connector
- ▶ Connecting cable according to AIDA standard
- ▶ PUR cable, sheath color yellow
- ▶ Cable length 3 m

Connecting cable with 2 plug connectors M12, 5-pin, 5 m



119932

C-M12F05-05X034PU05,0-M12M05-119932

- ▶ M12 female plug to M12 plug connector, 5-pin
- ▶ Straight female plug and plug connector
- ▶ PUR cable
- ▶ Cable length 5 m

Connecting cable with 2 plug connectors M12, 5-pin, 5 m, AIDA standard



159358

C-M12F05-05X034PU05,0-M12M05-159358

- ▶ M12 female plug to M12 plug connector, 5-pin
- ▶ Straight female plug and plug connector
- ▶ Connecting cable according to AIDA standard
- ▶ PUR cable, sheath color gray
- ▶ Cable length 5 m



159365

C-M12F05-05X034PU05,0-M12M05-159365

- ▶ M12 female plug to M12 plug connector, 5-pin
- ▶ Straight female plug and plug connector
- ▶ Connecting cable according to AIDA standard
- ▶ PUR cable, sheath color yellow
- ▶ Cable length 5 m

Connecting cable with 2 plug connectors M12, 5-pin, 8 m, AIDA standard



159359

C-M12F05-05X034PU08,0-M12M05-159359

- ▶ M12 female plug to M12 plug connector, 5-pin
- ▶ Straight female plug and plug connector
- ▶ Connecting cable according to AIDA standard
- ▶ PUR cable, sheath color gray
- ▶ Cable length 8 m



159919
C-M12F05-05X034PU08,0-M12M05-159919

- ▶ M12 female plug to M12 plug connector, 5-pin
- ▶ Straight female plug and plug connector
- ▶ Connecting cable according to AIDA standard
- ▶ PUR cable, sheath color yellow
- ▶ Cable length 8 m

Module connector MLI (M12), 5-pin, socket



157028
AC-MC-SB-F-A-157028

- ▶ Module plug connector MLI (M12), straight
- ▶ with thread
- ▶ Number of pins: 5-pin, socket

Module connector MLI, 5-pin, socket



157025
AC-MC-SB-F-B-157025

- ▶ Module plug connector MLI, straight
- ▶ Directly pluggable (without thread)
- ▶ Number of pins: 5-pin, socket

Function expansion

Emergency release for safety switch CTP/CTA/TP/STP/MGB2



099877
AE-M-A1-99877

Escape release MGB-E-A...



100465
MGB-E-A-100465

- ▶ Escape release from the danger zone
- ▶ Signal red door handle
- ▶ Designed for door profiles up to 40 mm
- ▶ Extended actuation axis for thicker doors (available optionally)



163885
MGB-E-A4-163885

- ▶ Escape release from the danger zone
- ▶ Signal red door handle
- ▶ Designed for door profiles up to 45 mm
- ▶ Extended actuation axis for thicker doors (available optionally)

Escape release MGB-E-A7...



117126
MGB-E-A7-117126

- ▶ Escape release from the danger zone
- ▶ Signal red door knob
- ▶ Designed for door profiles up to 40 mm
- ▶ Extended actuation axis for thicker doors (available optionally)

Escape release module MGB-E... pre-assembled on mounting plate



106051
MGB-E-A2-106051

- ▶ Escape release from the danger zone
- ▶ Mounted on mounting plate
- ▶ Signal red door handle
- ▶ Designed for door profiles up to 40 mm
- ▶ Extended actuation axis for thicker doors (available optionally)



126320
MGB-E-A8-126320

- ▶ Escape release from the danger zone
- ▶ Mounted on mounting plate
- ▶ Signal red door knob
- ▶ Designed for door profiles up to 40 mm
- ▶ Extended actuation axis for thicker doors (available optionally)

Lock for auxiliary release for safety switch CTP/CTA/TP/STP



084177
AE-K-A1-DULK1-84177

- ▶ Lock unique locking
- ▶ Key removable in “unlocked” and “locked” positions



086236
AE-K-A1-IULK1-86236

- ▶ Identical locking
- ▶ Key removable in “unlocked” and “locked” positions



109212
AE-K-A1-IUK2-109212

- ▶ Identical locking
- ▶ Key can be removed only in “unlocked” position



121917
AE-K-A1-ILK1-121917

- ▶ Identical locking
- ▶ Key removable in “locked” position

Release with automatic reset for safety switch CTP/CTA/TP/STP/MGB2/MGBS



103110
AE-R-A1-103110

Miscellaneous

Cover for locking module MGB2-L.-MLI with auxiliary release

156734
MGB2-A-C-L-MLI-156734

- ▶ Cover for locking module MGB2-L.-MLI
- ▶ For modules with auxiliary release on the front
- ▶ incl. screw set

Lens set labeled



120377
AY-SET-LNS-SY01-120377



126158
AY-SET-LNS-SY03-126158



125359
AY-SET-LNS-SY02-125359



158307
AY-SET-LNS-SY04-158307



160049
AY-SET-LNS-SY05-160049

Lens set, 5 colors



120344
AY-SET-LNS-0001-120344



163284
AY-SET-LNS-0003-163284

Lens set, 6 colors



120378
AY-SET-LNS-0002-120378

Set of seal labels

155853
AY-SAR-V10-155853

- ▶ Seal labels for MGB2 auxiliary release
- ▶ Color: black
- ▶ Packaging unit 10 pcs.

Mounting accessories

Mounting plate for evaluation modules MGB2-L/I



161315
AM-P-L-161315

- ▶ For evaluation modules MGB2-L/I
- ▶ Easy and quick mounting (only two screws required)
- ▶ Quick module replacement
- ▶ Steel, powder coated
- ▶ Suitable for doors hinged on the right and left
- ▶ Incl. screw set

Mounting plate for handle module MGB2-H...



156683
AM-P-H-156683

- ▶ For handle module MGB2-H
- ▶ Easy and quick mounting
- ▶ Quick module replacement
- ▶ Steel, powder coated
- ▶ Suitable for doors hinged on the right and left
- ▶ incl. screw set

Mounting plate for modules MGB2-L..., MCM... and MBM...



156680
AM-P-LCB-156680

- ▶ For modules MGB2-L, MBM and MCM
- ▶ Easy and quick mounting
- ▶ Quick module replacement
- ▶ Steel, powder coated
- ▶ Suitable for doors hinged on the right and left
- ▶ incl. screw set

Mounting plate for modules MGB2-L/I... and MBM...



156682

AM-P-LB-156682

- ▶ For modules MGB2-L and MBM
- ▶ Easy and quick mounting
- ▶ Quick module replacement
- ▶ Steel, powder coated
- ▶ Suitable for doors hinged on the right and left
- ▶ incl. screw set

Mounting plates for MGB2-L/I and MCM-MLI modules



169222

AM-P-LC-169222

- ▶ For modules MGB2-L/I and MCM-MLI
- ▶ Easy and quick mounting
- ▶ Quick module replacement
- ▶ Steel, powder coated
- ▶ Suitable for doors hinged on the right and left
- ▶ incl. screw set

ZSA

ZSA, 3-stage, with cable and plug connector M12



170950

ZSA2B4G10CC2630

- ▶ Housing G1
- ▶ 3-stage function
- ▶ Straight connecting cable with plug connector, 10 m



170951

ZSA2B4G15CC2630

- ▶ Housing G1
- ▶ 3-stage function
- ▶ Straight connecting cable with plug connector, 15 m



170949

ZSA2B4G02CC2630

- ▶ Housing G1
- ▶ 3-stage function
- ▶ Straight connecting cable with plug connector, 2 m



165899

ZSA2B4G15CC2322

- ▶ Housing G1
- ▶ 3-stage function
- ▶ Straight connecting cable with plug connector, 15 m



110560

ZSA2B4G10CC2322

- ▶ Housing G1
- ▶ 3-stage function
- ▶ Straight connecting cable with plug connector, 10 m

ZSM

ZSM



168902

ZSM2300-168902

- ▶ 3-stage function
- ▶ Straight connecting cable, 10 m