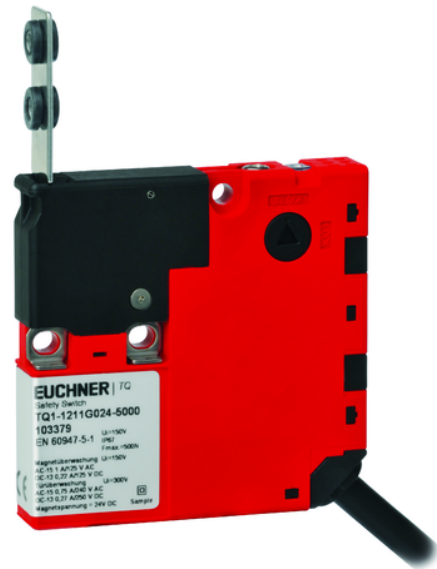


TQ2-1202SG024-5000 (Order no. 104750)

Safety switch TQ

- ▶ Compact housing
- ▶ Auxiliary release from 3 sides
- ▶ Any installation orientation
- ▶ LED indicator
- ▶ Connecting cable, 5 m



Guard locking types

TQ2 Open-circuit current principle, guard locking by applying voltage to the guard locking solenoid.
Release by spring force.

Switching elements

SK For monitoring the door/actuator position.

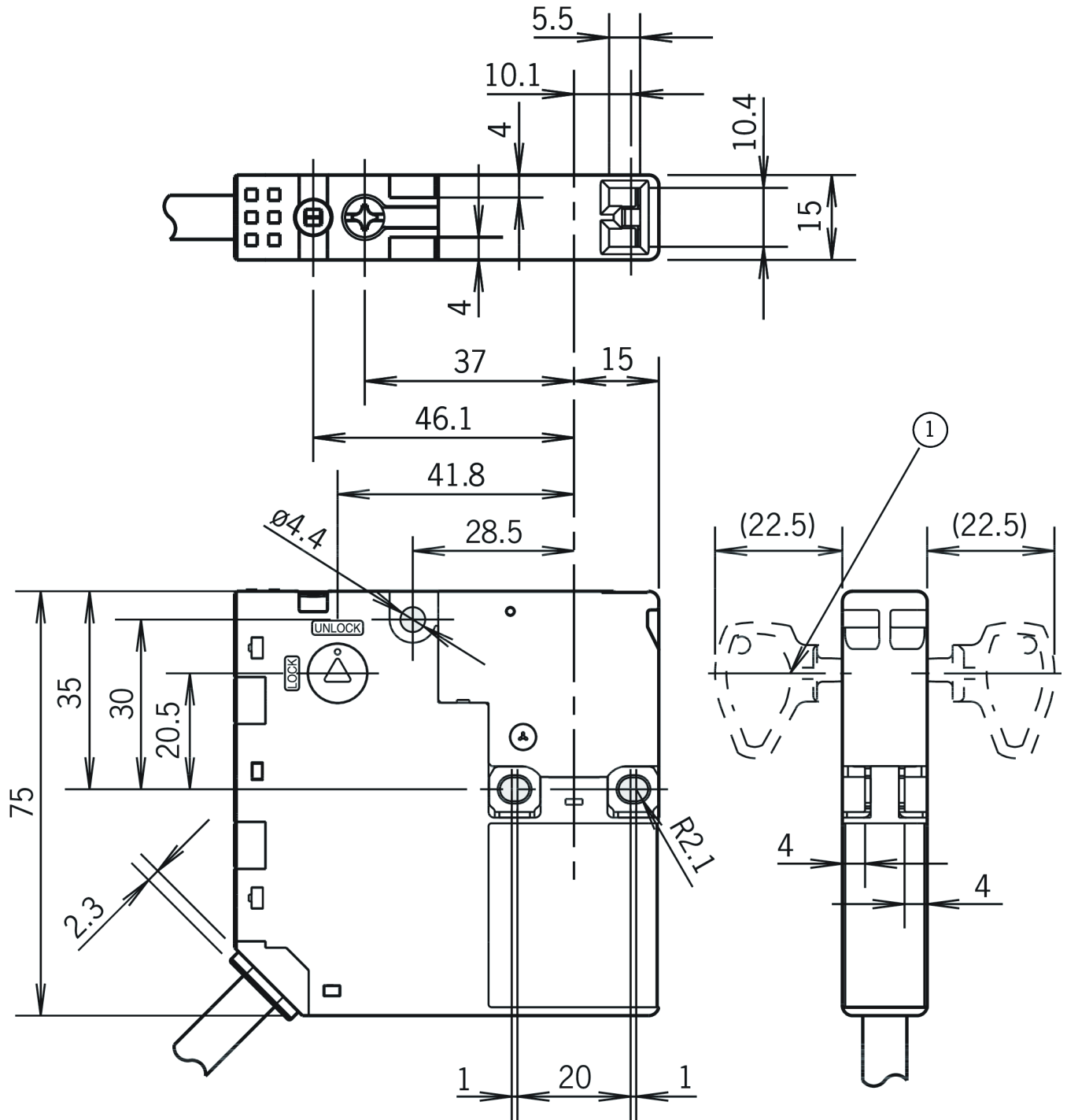
ÜK Monitoring contact for monitoring the guard locking (built-in solenoid).

1202S Slow-action switching contact 2 NC \rightarrow + 2 NC + 1 NO

Auxiliary release

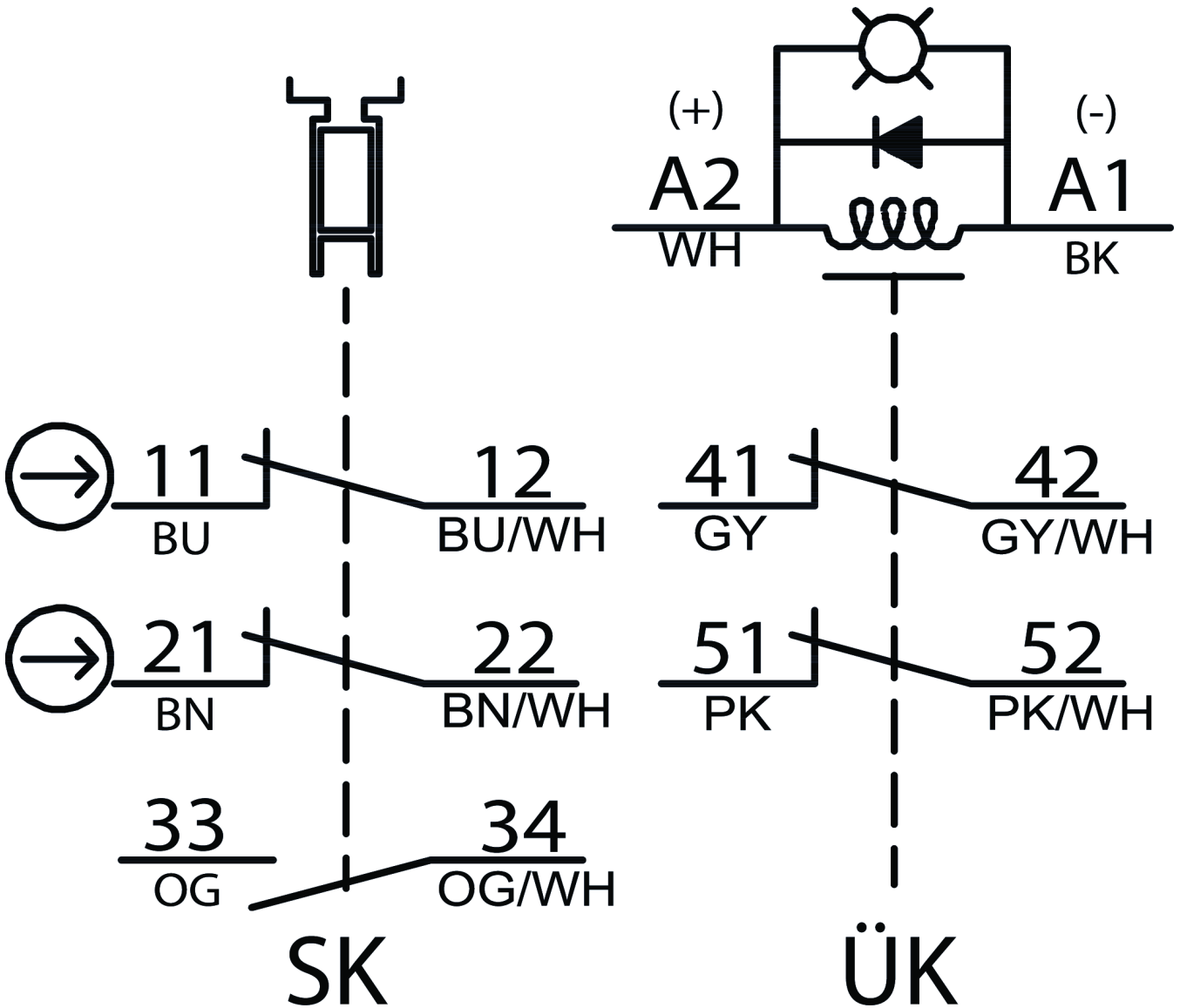
This releases the guard locking after operation with a triangular key (included).

Dimensional drawings



1 Triangular key

Connection examples



Technical data

Approvals



Electrical connection values

Power consumption	2.7 W
Rated insulation voltage U_i	300 V
Rated impulse withstand voltage U_{imp}	2.5 kV
Utilization category	
AC-15 Safety contact	0.75 A 250 V
DC-13 Monitoring contact	0.22 A 125 V
AC-15 Monitoring contact	1 A 125 V
DC-13 Safety contact	0.27 A 250 V
Short circuit protection according to IEC 60269-1	2A gG
Solenoid operating voltage	
DC	24 V -15% ... +10%
Solenoid duty cycle	100 %
Switching voltage	
min. at 10 mA	12 V
Switching current	
min. at 24 V	1 mA
thermal rated current I_{th}	2.5 A

Mechanical values and environment

Approach speed	3 ... 60 m/min
Connection type	Connecting cable, 5 m
Number of guard lock monitoring NC contacts	2
Number of door position NO contacts	1

Number of door position positively driven contacts	2
Extraction force	10 N
Actuation frequency	max. 900 1/h
Actuating force	5 N
Installation orientation	any
Insertion depth	26.3 mm
Mechanical life	1 x 10 ⁶
Retention force	1 N
Switching principle	Slow-action switching contact
Degree of protection	IP67
Ambient temperature	-20 ... +50 °C
Material	
	Contact Silver alloy, gold flashed
	Housing Reinforced thermoplastic
Locking force F _{max}	500 N
Guard locking principle	Open-circuit current principle

Characteristic values according to EN ISO 13849-1 and EN IEC 62061

	B10 _D	Mission time
Monitoring of the guard position	2x10 ⁶	20 y

In combination with actuator ACTUATOR-Q-WTB

Horizontal overtravel	1.3 mm
-----------------------	--------

In combination with actuator ACTUATOR-Q-GT, HINGED ACTUATOR-Q-RO, HINGED ACTUATOR-Q-LU, ACTUATOR-Q-WT

Horizontal overtravel	1.9 mm
-----------------------	--------

Downloads

All documentation for this material can be found on our website:

<https://www.euchner.de/en-us/a/104750/?#downloads-tab>

Ordering data

Ordernumber	104750
Item designation	TQ2-1202SG024-5000
Gross weight	0,607kg
Customs tariff number	85365019000
ECLASS	27-27-26-03 Safety switch with guard control

Accessories

Actuator

Actuator for safety switch NQ/TQ



103389
BETAETIGER-Q-WT

- ▶ With rubber bush
- ▶ Minimum door radius 160 mm
- ▶ Maximum locking force 500 N
- ▶ Mounting aid included



103386
BETAETIGER-Q-GT

- ▶ With rubber bush
- ▶ Minimum door radius 160 mm
- ▶ Maximum locking force 500 N
- ▶ Mounting aid included



103390
BETAETIGER-Q-WTB

- ▶ With rubber bush
- ▶ Minimum door radius 160 mm
- ▶ Maximum locking force 500 N
- ▶ With mounting plate
- ▶ Mounting aid included

Hinged actuator, left/bottom, for safety switch NQ/TQ



103388
RADIUSBETAETIGER-Q-LU

- ▶ Minimum door radius 50 mm
- ▶ For left- and bottom-hinged doors
- ▶ Maximum locking force 500 N
- ▶ Mounting aid included

Hinged actuator, right/top, for safety switch NQ/TQ



103387
RADIUSBETAETIGER-Q-RO

- ▶ Minimum door radius 50 mm
- ▶ For right- and top-hinged doors
- ▶ Maximum locking force 500 N
- ▶ Mounting aid included