

EGM12-1200C1791 (Order no. 075556)


Precision single hole fixing limit switch EGM12

- ▶ with snap-action switching element
- ▶ Plunger material stainless steel
- ▶ Any installation orientation

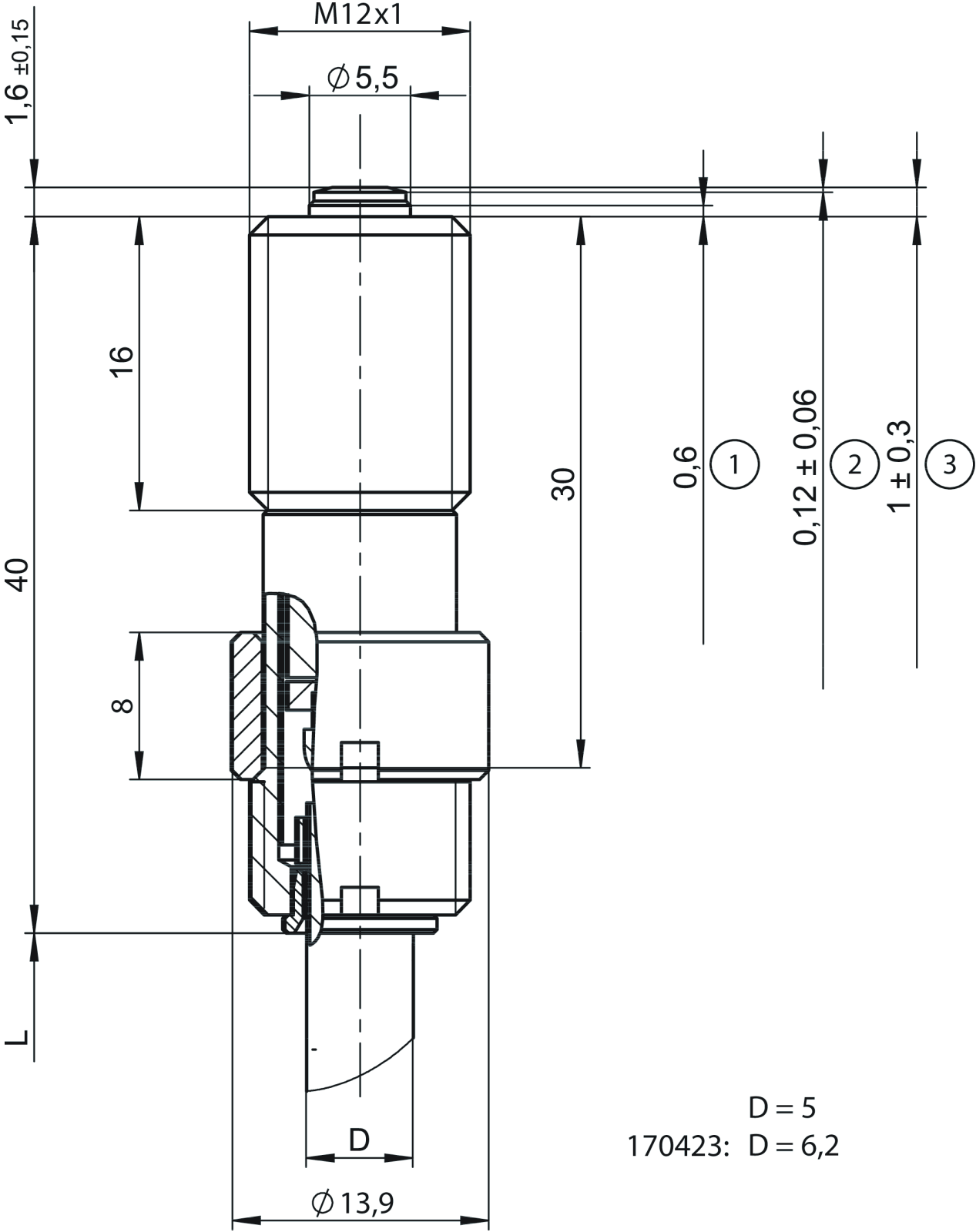


Switching element

Snap-action switching contact, 1 changeover contact

 Single hole fixing limit switches must not be used as an end stop.

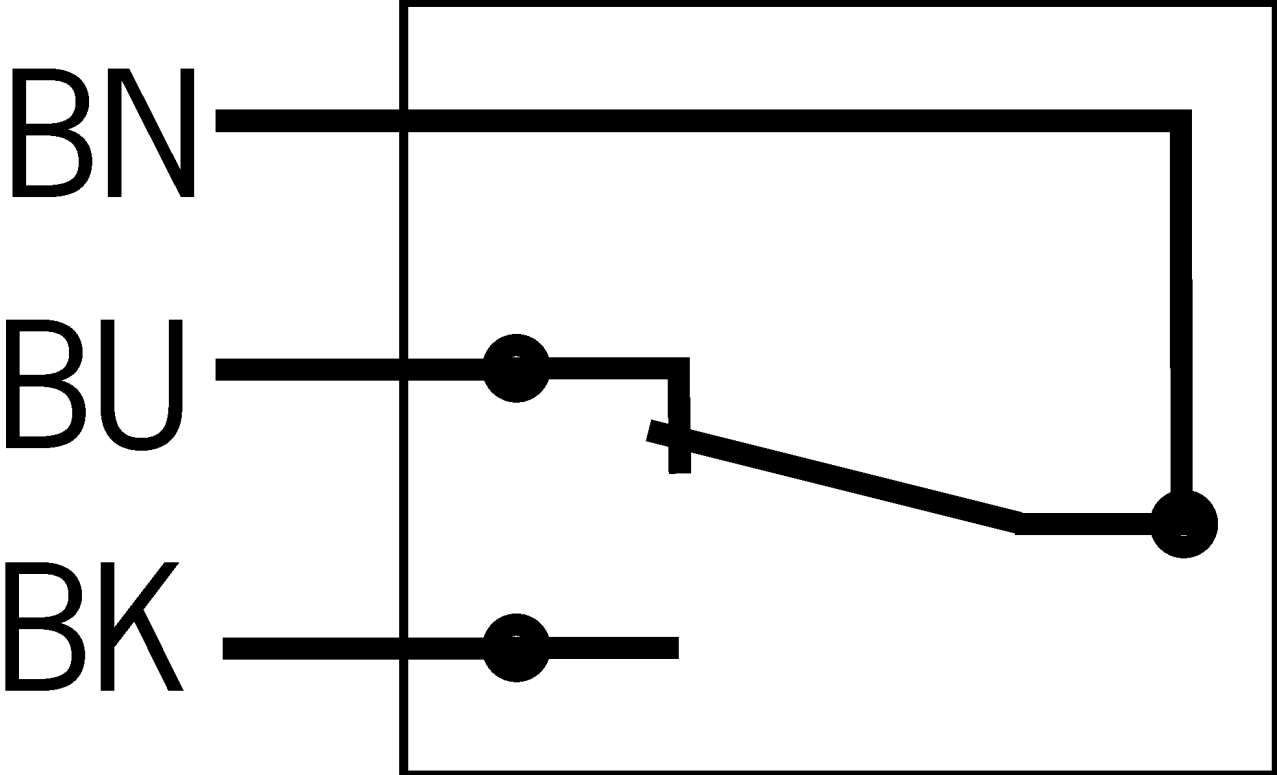
Dimensional drawings



D = 5
170423: D = 6,2

- 1 End position
- 2 Differential travel
- 3 Operating point

Connection examples



Technical data

Approvals



Electrical connection values

| | |
|---|---------------------|
| Connection cross section | 0.5 mm ² |
| Rated insulation voltage U _i | 250 V |
| Rated impulse withstand voltage U _{imp} | 2.5 kV |
| Utilization category | |
| | AC-15 0.5 A 230 V |
| | DC-13 0.6 A 24 V |
| Short circuit protection according to IEC 60269-1 | 2A gG |
| Switching voltage | |
| | min. 12 V |
| Switching current | |
| | min. at 24 V 10 mA |

Mechanical values and environment

| | |
|-----------------------|---------------------------|
| Approach speed | 0.01 ... 8 m/min |
| Connection type | PUR cable (three-core) |
| Number NC contacts | 1 (Changeover contact) |
| Number of NO contacts | 1 (Changeover contact) |
| Design | Thread M12 x 1 |
| Actuating element | Flat plunger (short) |
| Actuating force | approx. 16 N |

| | |
|------------------------------------|-------------------------------|
| Installation orientation | any |
| Cable length | 1.2 m |
| Mechanical life | 1 x 10 ⁶ |
| Switching principle | Snap-action switching contact |
| Degree of protection | IP65 |
| Cable ambient temperature (static) | -20 ... +80 °C |

Material

| | |
|---------|---------------------------|
| Housing | stainless steel |
| Contact | Silver alloy, gold plated |

| | |
|----------------------------|--|
| Repeat accuracy (absolute) | ±0.01 mm (on axial actuation in the retracted state after approx. 2,000 operating cycles) |
|----------------------------|--|

Miscellaneous

| | | |
|----------|-------|----------|
| C number | C1791 | Standard |
|----------|-------|----------|

Downloads

All documentation for this material can be found on our website:

<https://www.euchner-usa.com/en-us/a/075556/?#downloads-tab>

Ordering data

| | |
|-----------------------|--------------------------------------|
| Ordernumber | 075556 |
| Item designation | EGM12-1200C1791 |
| Gross weight | 0,087kg |
| Customs tariff number | 85365019000 |
| ECLASS | 27-27-06-01 Position switch (Type 1) |