

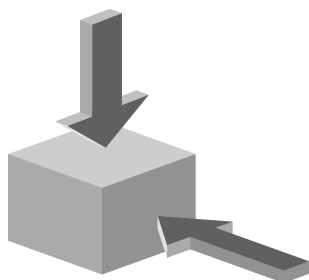
## SGA1A-2131A-M-EX (Order no. 123460)

### Safety switch SGA, ATEX

- ▶ ATEX version
- ▶ Suitable for use in zones 2 and 22 (gases and dusts)
- ▶ Cable entry (3x)
- ▶ ATEX cable gland (made of metal) M20x1,5 included in delivery
- ▶ Switching disk made of metal



### Approach direction

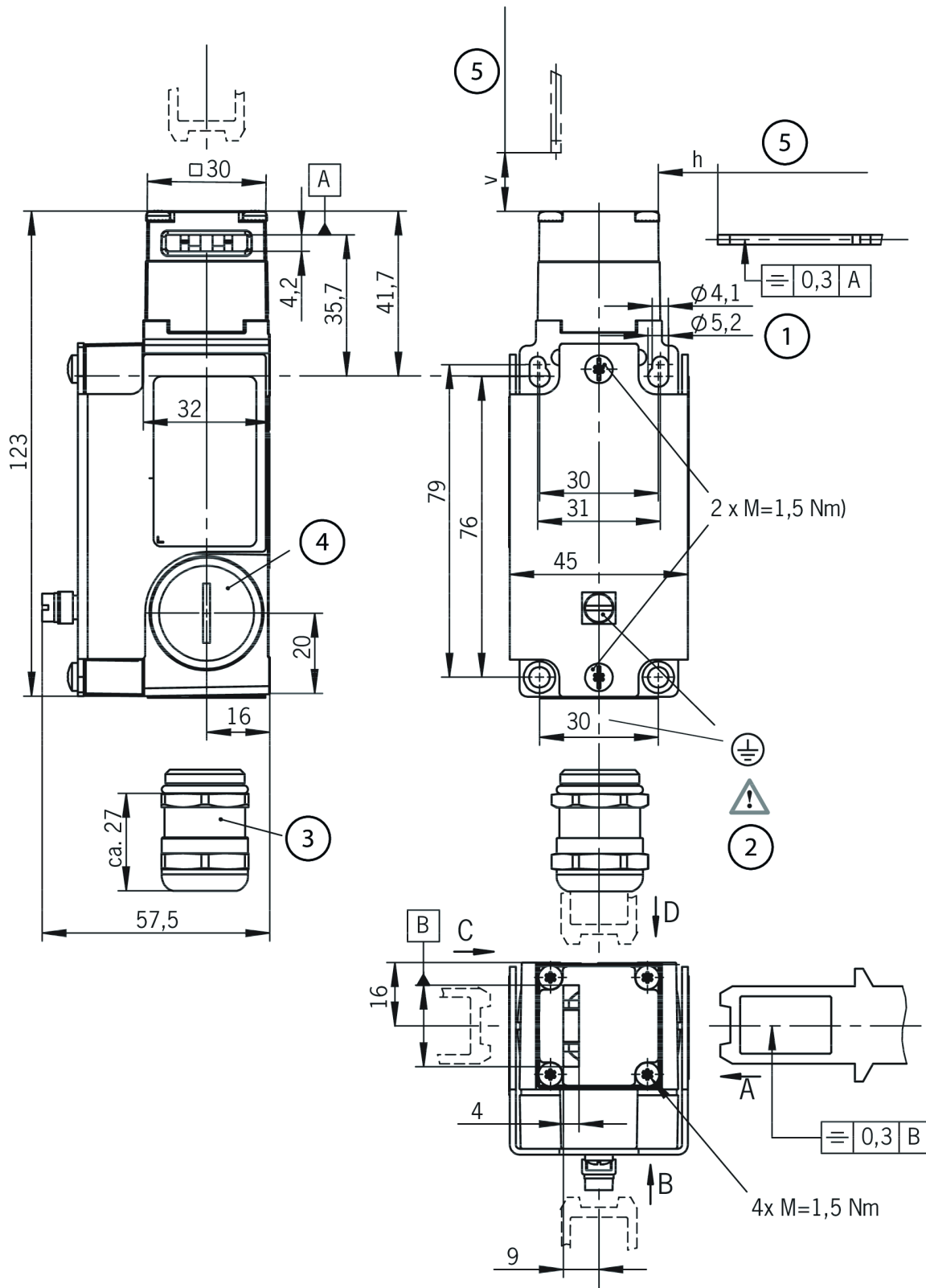


Horizontal and vertical  
Can be adjusted in 90° steps

### Switching element

2131 Slow-action switching contact 3 NC  $\ominus$ + 1 NO

## Dimensional drawings



1 Fixed positioning for safety applications (M5 screw)

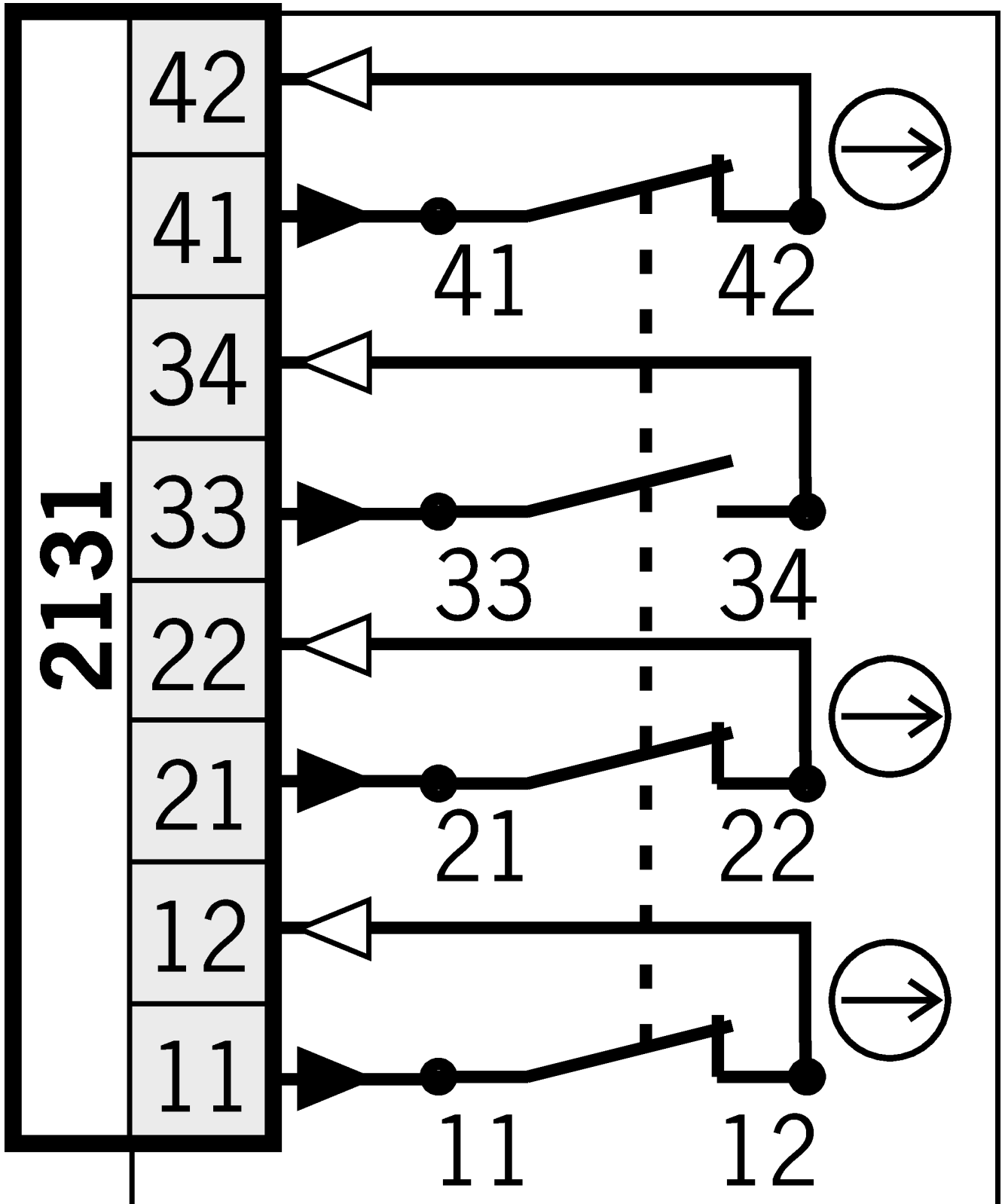
2 To avoid electrostatic charge, ground the switch via the protective earth terminal.

3 ATEX cable gland M20x1,5 enclosed, clamping range Ø6,5...12mm

4 Screw plug M20x1.5 (2x)

5 Insertion depth

Connection examples



## Technical data

### Approvals



### Electrical connection values

Connection cross section	0.34 ... 1.5 mm <sup>2</sup>
Rated insulation voltage U <sub>i</sub>	50 V
Rated impulse withstand voltage U <sub>imp</sub>	2.5 kV
Utilization category	
	AC-15 4 A 50 V
	DC-13 4 A 24 V
Short circuit protection according to IEC 60269-1	4A gG
Switching voltage	
	min. at 10 mA 12 V
Switching current	
	min. at 24 V 1 mA
thermal rated current I <sub>th</sub>	4 A

### Mechanical values and environment

Approach speed	max. 20 m/min
Approach direction	A
Connection type	
	3 x M20 x 1.5
Number of door position NO contacts	1
Number of door position positively driven contacts	3
Extraction force	25 N
Actuation frequency	max. 6700 1/h
Actuating force	25 N
Installation orientation	any

Insertion depth	24.5 mm
Mechanical life	2 x 10 <sup>6</sup>
Retention force	10 N
Switching principle	Slow-action switching contact
Degree of protection	IP67
Ambient temperature	-10 ... +75 °C

**Material**

- Contact Silver alloy, gold flashed
- Housing Die-cast alloy, cathodically dipped

**Characteristic values according to EN ISO 13849-1 and EN IEC 62061**

	B10 <sub>D</sub>	Mission time
Monitoring of the guard position	3x10 <sup>6</sup>	20 y
Important! Values valid at DC-13 100 mA/24V		

**Miscellaneous**

Explosion protection
incl. cable gland II3G Ex nR IIB T5 Gc X / II3D Ex tc IIIC T90° Dc X

## Downloads

All documentation for this material can be found on our website:

<https://www.euchner.de/en-us/a/123460/?#downloads-tab>

**Ordering data**

Ordernumber	123460
Item designation	SGA1A-2131A-M-EX
Gross weight	0,526kg
Customs tariff number	85365019000
ECLASS	27-27-26-02 Safety switch with separate actuator (Type 2)

## Accessories

### Actuator

#### Actuator S for safety switch SGA/SGP/STA/STP/STM



**097861**

BETAETIGER-S-G-SN-C2115

- ▶ Two safety screws included
- ▶ Physically compatible with TP actuator P-G

#### Actuator S, bent, for safety switch SGA/SGP/STA/STP/STM



**115073**

BETAETIGER-S-W-SN-C2115

- ▶ Two stainless-steel safety screws per actuator
- ▶ Minimum door radius 300 mm

#### Bent actuator S for safety switch SGA-EX/STA-EX



**158407**

BETAETIGER-S-WQ-SN-C2498

- ▶ Two safety screws included
- ▶ Minimum door radius 300 mm

#### Hinged actuator S left/right for safety switch SGA/SGP/STA/STP/STM for insertion funnel



**096844**

RADIUSBETAETIGER-S-LR-LN

- ▶ Actuator made of stainless steel
- ▶ Two stainless-steel safety screws per actuator
- ▶ For doors hinged on the right and left

#### Hinged actuator S top/bottom for safety switch SGA/SGP/STA/STP/STM for insertion funnel



**096697**

RADIUSBETAETIGER-S-OU-LN

- ▶ Actuator made of stainless steel
- ▶ Two stainless-steel safety screws per actuator
- ▶ For top-hinged and bottom-hinged doors

#### Hinged actuator S, left/right, for safety switch SGA/SGP/STA/STP/STM



**096838**

RADIUSBETAETIGER-S-LR-SN

- ▶ Actuator made of stainless steel
- ▶ Two safety screws included
- ▶ For doors hinged on the right and left

#### Hinged actuator S, top/bottom, for safety switch SGA/SGP/STA/STP/STM



**095315**

RADIUSBETAETIGER-S-OU-SN

- ▶ Actuator made of stainless steel
- ▶ Two safety screws included
- ▶ For top-hinged and bottom-hinged doors

### Function expansion

#### Insertion funnel for safety switch SGP/STA/STP/STM/SGA



**093157**

EINFUEHRTRICHTER-S



## Lockout bar STA/STP/SGA/SGP/STM



**105701**

SPERREINSATZ STP/STA

- ▶ Prevents unintentional closing of the door
- ▶ Can be secured with padlocks