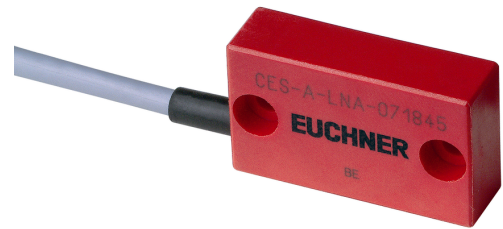


CES-A-LNA-05P-077806 (Order no. 077806)

Read head CES-A-LNA..., hard-wired encapsulated cable 5 m, PUR

- ▶ Cube-shaped design 42 x 25 mm
- ▶ Hard-wired encapsulated cable made of PUR
- ▶ Cable length 5 m
- ▶ Two safety screws M4x14 included



Possible combinations

Suitable for connection to a CES-AZ evaluation unit

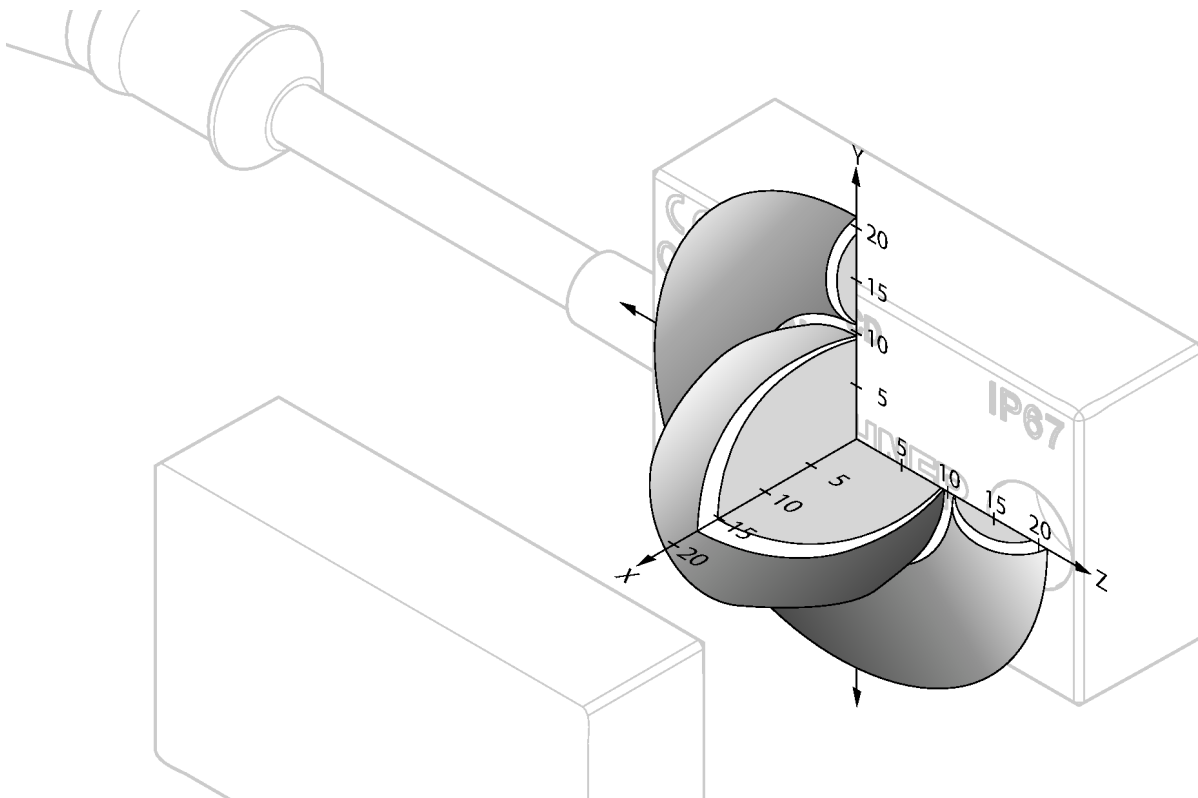
Housing material

Fortron, reinforced thermoplastic, fully encapsulated.

Attention: The actuating range may vary depending on the substrate material and installation situation.

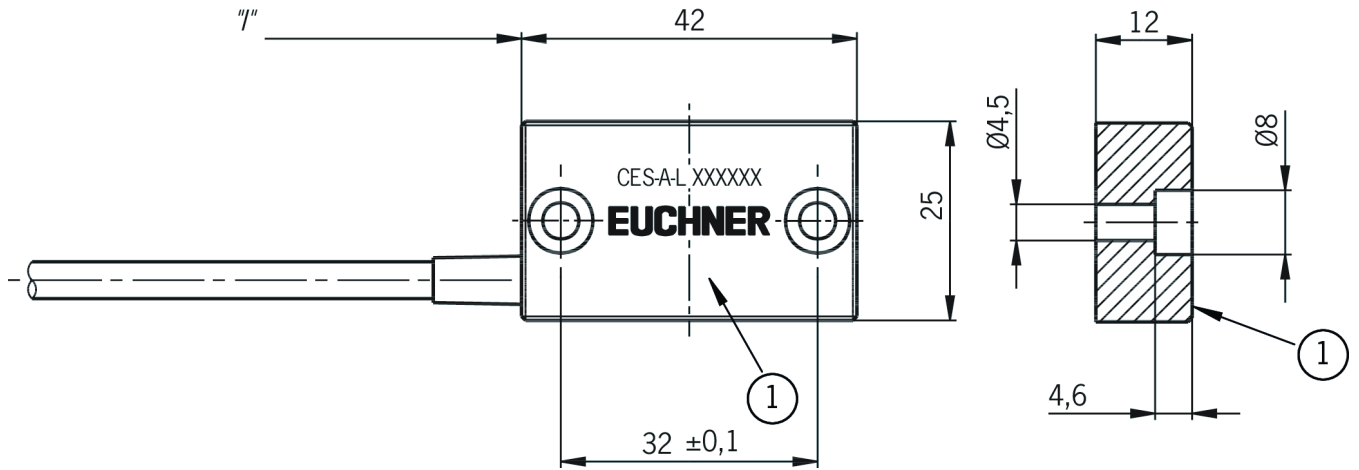
Important: Actuators must be ordered separately!

Typical actuating range



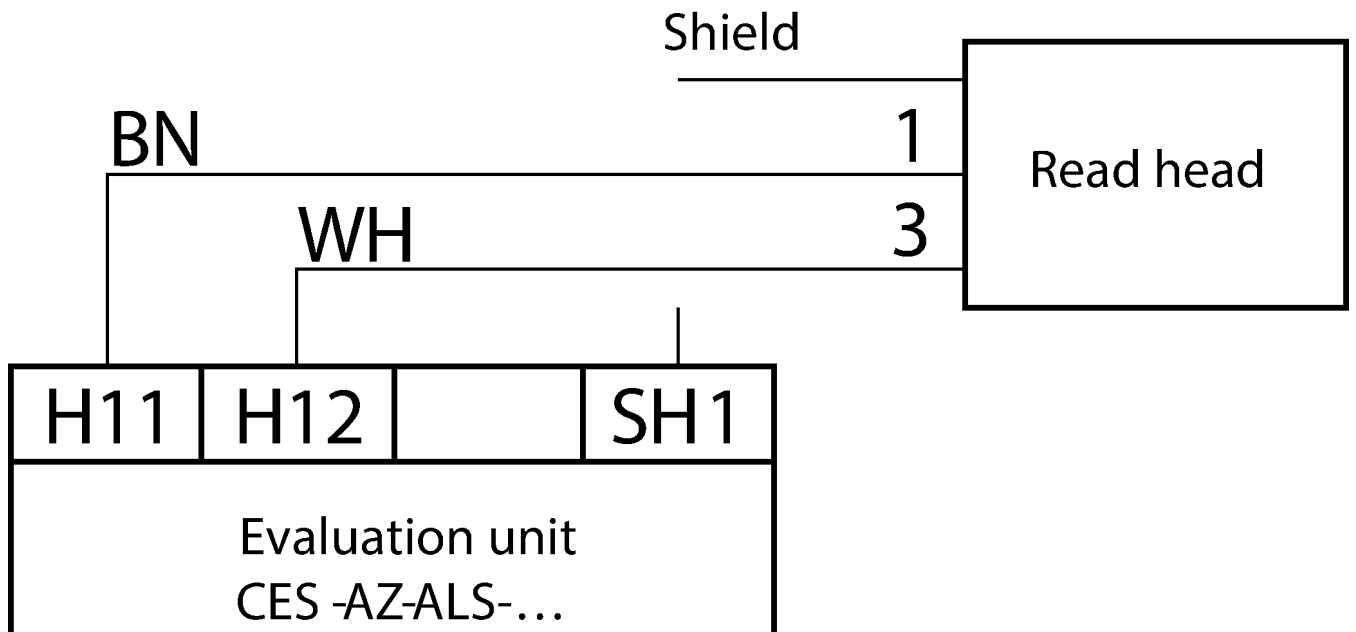
For a side approach direction for the actuator and read head, a minimum distance of $s = 3$ mm must be maintained so that the actuating range of the side lobes is not entered.

Dimensional drawings



1 Active face

Connection examples



Technical data

Approvals



Electrical connection values

Connecting cable	PUR (suitable for drag chain), length 5m, Ø 4.1...5.3 mm, with crimped ferrules
Power supply	via evaluation unit

Mechanical values and environment

Connection type	hard-wired encapsulated connecting cable
Tightening torque	
Fixing screws	max. 1 Nm
Installation orientation	any
Cable length	
maximum allowed	max. 25 m
Degree of protection	IP67/IP69K
Cable ambient temperature (dynamic)	-5 ... +70 °C
Cable ambient temperature (static)	-25 ... +70 °C
Material	
Housing	Reinforced thermoplastic (PPS), fully encapsulated
Method of operation	inductive

Downloads

All documentation for this material can be found on our website:

<https://www.euchner.de/en-us/a/077806/?#downloads-tab>

Ordering data

Ordernumber	077806
Item designation	CES-A-LNA-05P-077806
Gross weight	0,187kg
Customs tariff number	85389099990
ECLASS	27-27-24-03 Safety-related transponder switch

Accessories

Actuator

Actuator CES-A-BBA



071840
CES-A-BBA-071840

- ▶ Cube-shaped design 42 x 25 mm
- ▶ Two safety screws M4x14 included

Actuator CES-A-BCA



088786
CES-A-BCA

- ▶ Cube-shaped design 42 x 25 mm
- ▶ Two safety screws M4x14 included
- ▶ PE-HD housing material, suitable for use in aggressive media (e.g. acids, alkalis)

Actuator CES-A-BDA



156935
CES-A-BDA-18-156935

- ▶ For safety switch CES-C01
- ▶ For CES-AZ safety systems in combination with the read heads CES-A- LNA and CES-A-LMN
- ▶ Round design, \varnothing 18 mm
- ▶ For use in applications in very confined spaces
- ▶ Mounting on metal or plastic is permissible
- ▶ Flush installation is permissible only in plastic



084720
CES-A-BDA-20

- ▶ For safety switch CES-A- .5...
- ▶ For CES-AZ safety systems in combination with the read heads CES-A- LNA and CES-A-LMN
- ▶ Round design, \varnothing 20 mm
- ▶ For use in applications in very confined spaces
- ▶ Flush installation is permissible only in plastic

Bolt

Bolt for read heads CES-A-LNA-...



076487
RIEGEL CES-A-A

- ▶ Bolt for read heads CES-A-LNA-...
- ▶ Steel bolt
- ▶ For doors hinged on the left or right
- ▶ Ball detent mechanism in closed position
- ▶ Suitable for a door gap of approx. 15 mm
- ▶ Protective cover for read head

Bolt with escape release, for read heads CES-A-LNA-...



086173
RIEGEL CES-A-A/F

- ▶ Bolt for read heads CES-A-LNA...
- ▶ Steel bolt
- ▶ For doors hinged on the right or left
- ▶ Bolt with escape lever
- ▶ Detent knob in open position
- ▶ Ball detent mechanism in closed position
- ▶ Suitable for a door gap of approx. 15 mm
- ▶ Protective cover for read head

Mounting accessories

Safety screws M4 x 14

071863

M4X14-NIRO/V20

- ▶ Safety screws M4 x 14
- ▶ Packaging unit 20 pieces