

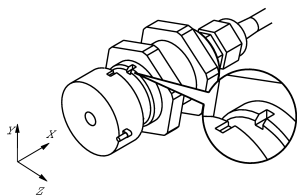
CMS-R-CXA-05V (Order no. 085739)

Read heads CMS design C – with NO contact combinations, PVC

- ▶ In combination with evaluation units CMS-E-AR
- ▶ Cylindrical version M25
- ▶ NO contacts wired in parallel
- ▶ Connecting cable
- ▶ Cable type: PVC

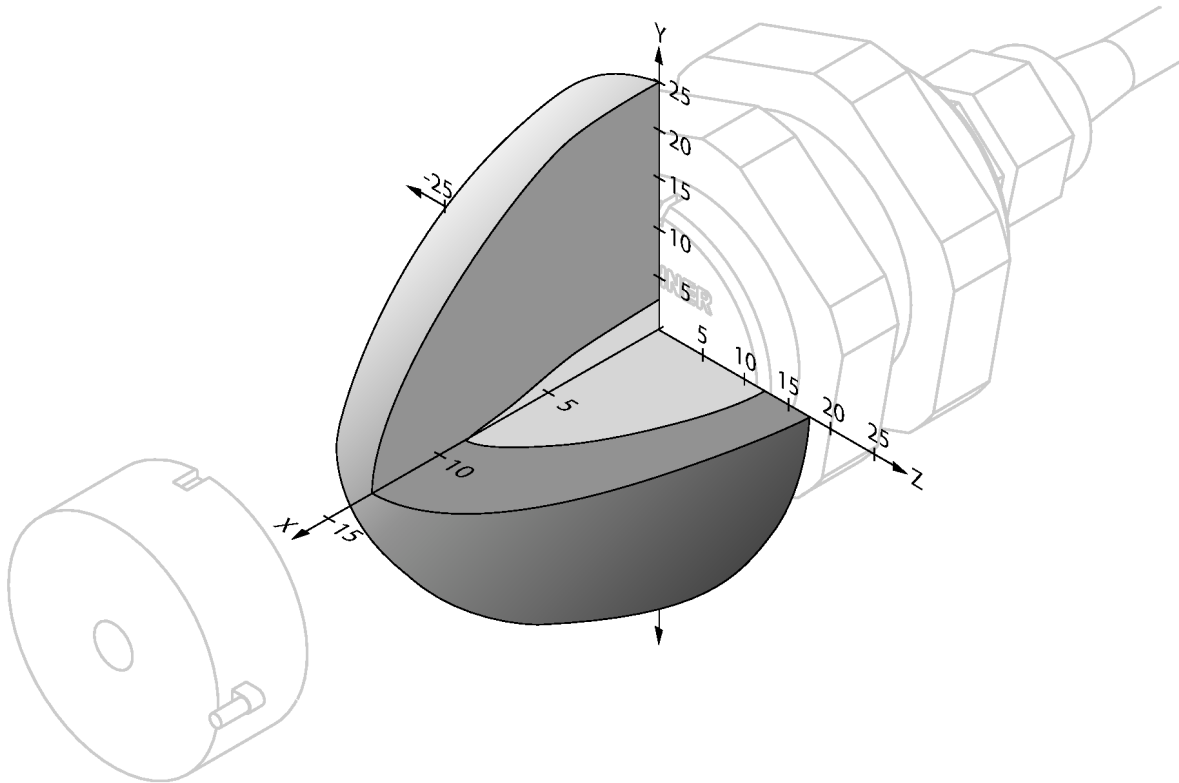


Alignment of read head and actuator



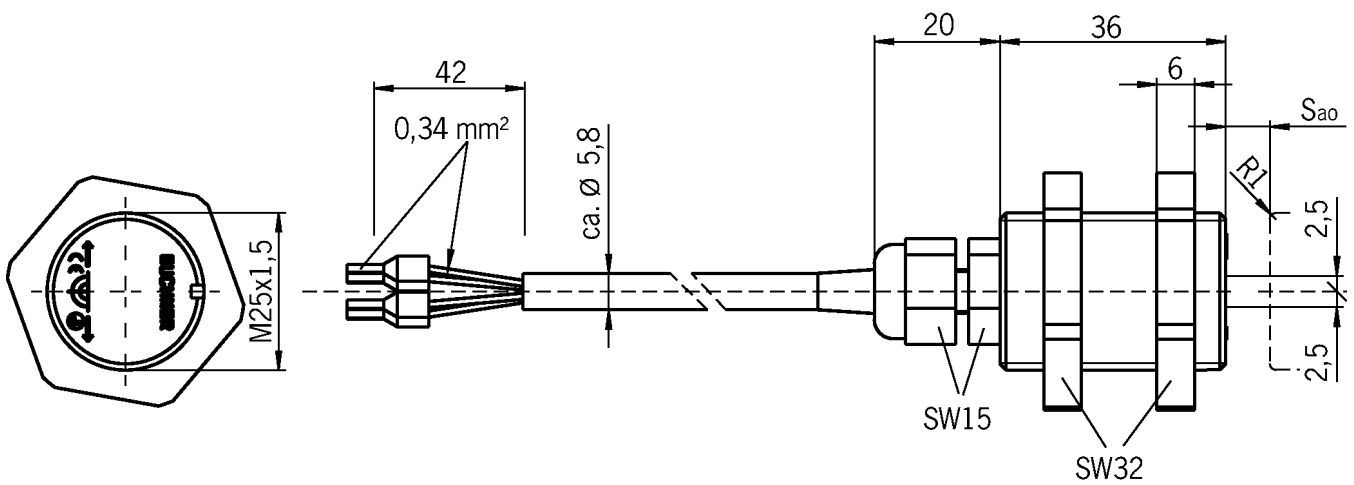
Operating diagram, design C

CMS-R-CXA

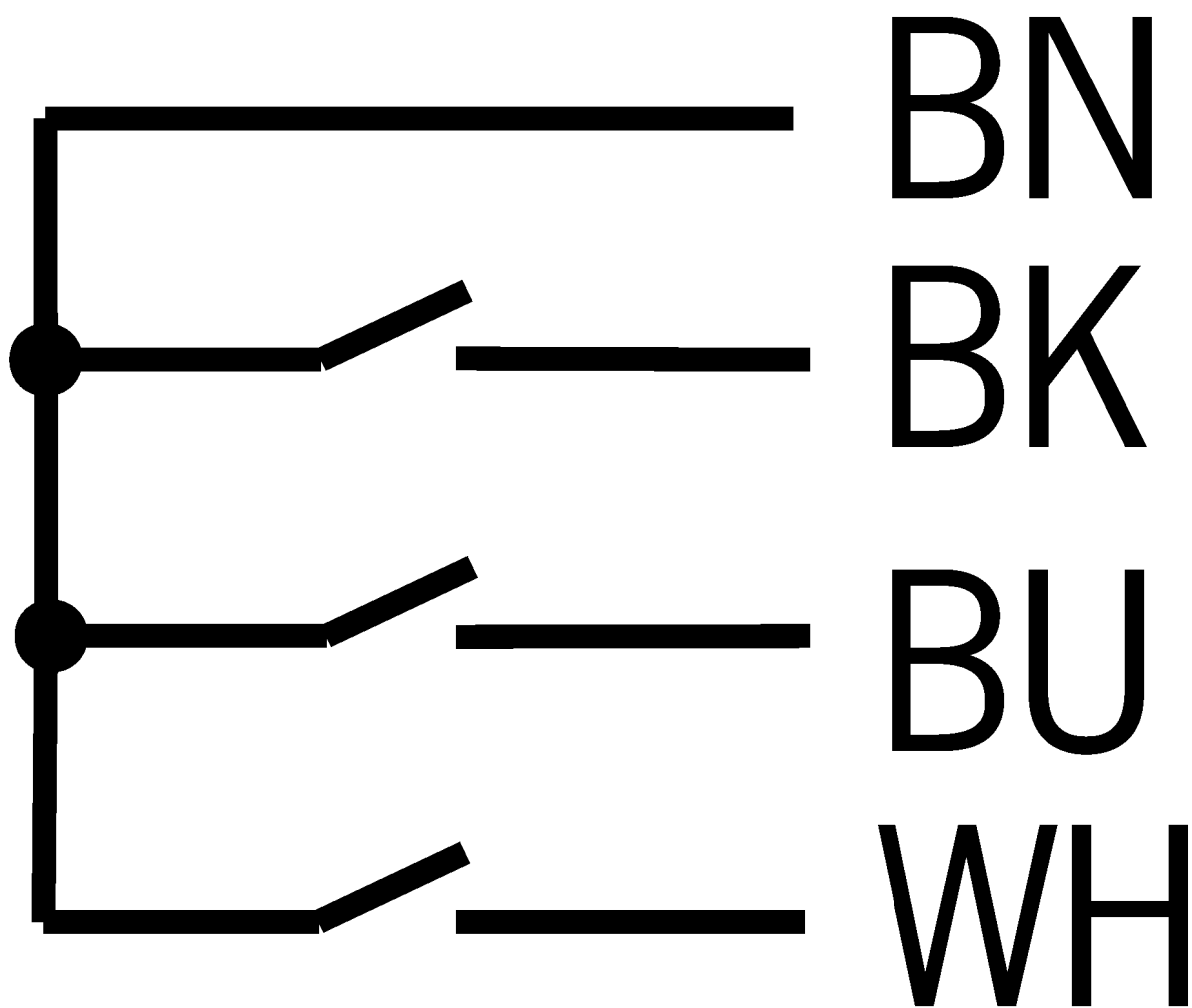


- ▶ typ. operating distance
- ▶ typ. release distance

Dimensional drawings



Connection examples



Technical data

Approvals



Workspace

Secured switch-off distance s_{ar}	max. 16 mm (The assured release distance s_{ar} corresponds to the reset distance.)
Secured switching distance s_{ao}	
with center offset $m=0$	min. 7 mm (Value applies only if there is no ferromagnetic material in the vicinity of the read head and the actuator.)
Repeat accuracy R	max. 10 %

Electrical connection values

Rated insulation voltage U_i	26.4 V
Rated impulse withstand voltage U_{imp}	1.5 kV
Switching voltage	
	DC 24 V
Switching voltage according to UL	
according to UL Class 2	max. 24 V DC
Switching current	8 ... 500 mA
Switching characteristics	parallel

Mechanical values and environment

Connection type	Hard-wired encapsulated cable with cable end sleeves 0.34 mm ²
Number of NO contacts	3 NO contacts
Tightening torque	0.4 ... 0.5 Nm
Design	C
Installation orientation	any (During mounting it must be ensured that the marking arrows on the actuator and the read head are opposite each other.)

Cable length	5 m
Mechanical life	100 x 10 ⁶
Shock and vibration resistance	Acc. to EN IEC 60947-5-3
Degree of protection	IP67
Ambient temperature	-20 ... +60 °C
Material	
Cable material	PVC
Housing	Fiber glass reinforced PPS
Method of operation	magnetic, reed contact

Miscellaneous

in compliance with	EN ISO 13849-1:2015; EN 50178:1997; EN 60204-1:2006/ A1:2009; EN ISO 14119:2013; EN 61000-6-2:2005; EN 61000-6-3:2007/A1:2011; EN 60947-5-3:2013
--------------------	--

Downloads

All documentation for this material can be found on our website:

<https://www.euchner.de/en-us/a/085739/?#downloads-tab>

Ordering data

Ordernumber	085739
Item designation	CMS-R-CXA-05V
Gross weight	0,293kg
Customs tariff number	85389099990
ECLASS	27-27-24-02 Safety-related magnetic proximity switch

Accessories

Actuator

Actuator CMS design C



084577
CMS-M-CA

▶ Cylindrical version M25