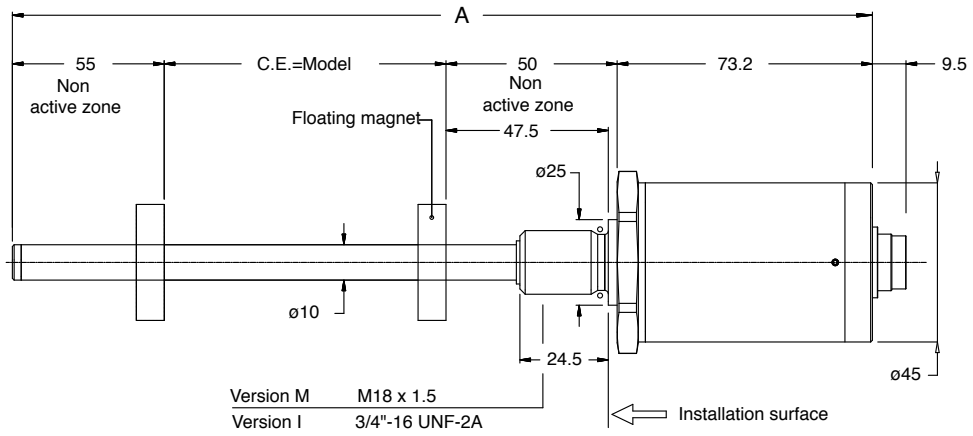


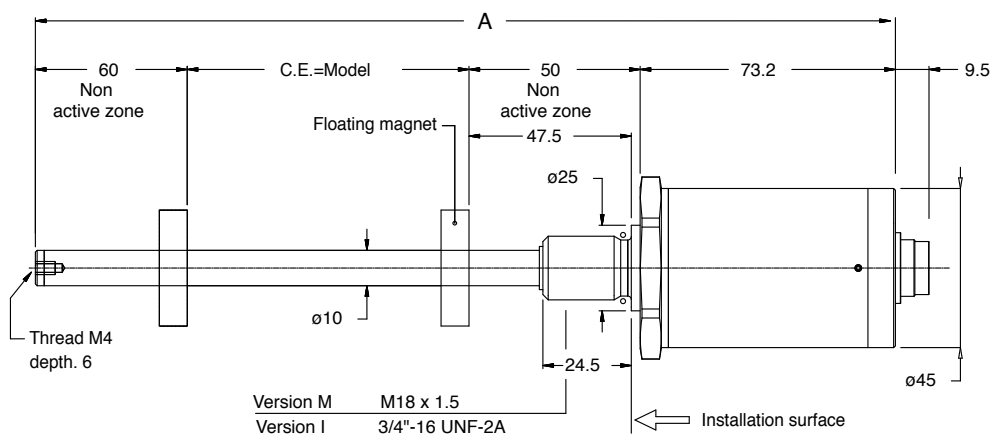


## MECHANICAL DIMENSIONS

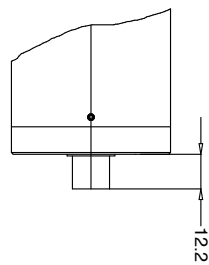
Strokes from 50 to 1000 mm



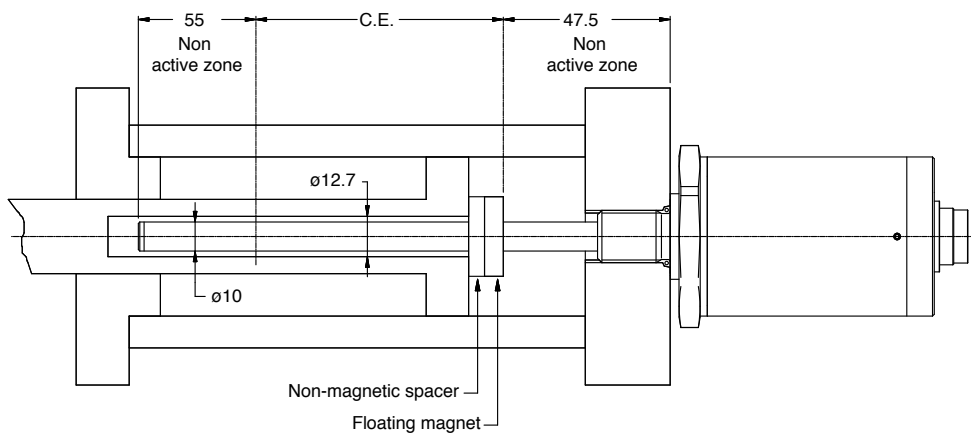
Strokes from 1250 to 1500 mm



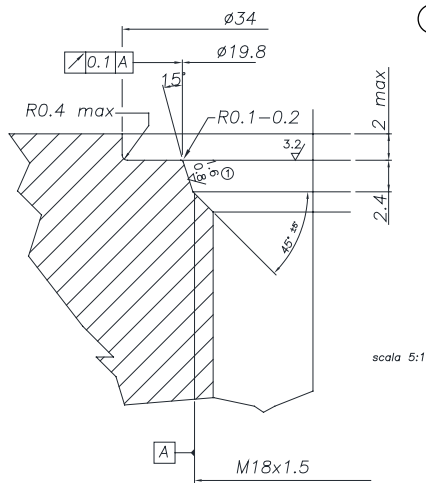
### WRG-A-A/B connector output



## MOUNTING INSIDE A CYLINDER



## INSTALLATION INSIDE A CYLINDER

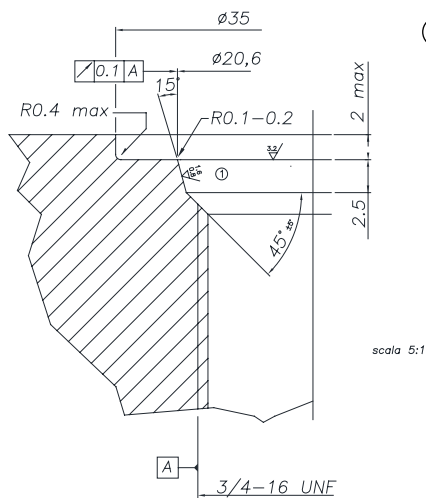
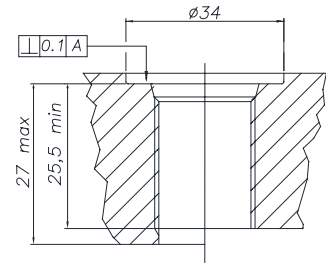


### ① THREAD M18x1,5

The sealing surface must be free from scratches longitudinal or spiral  
 Ro 1.6 µm for sealing with NON-pulsating pressure  
 Ro 0.8 µm for seals with pulsating pressure

#### Suggested o-ring:

PARKER 6-349 15,4x2,1  
 Material: Viton 90° Shore-A  
 Mixes: PARKER N552-90

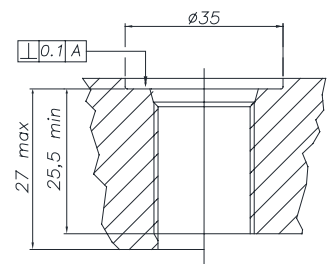


### ① THREAD 3/4"-16UNF

The sealing surface must be free from scratches longitudinal or spiral  
 Ro 1.6 µm for sealing with NON-pulsating pressure  
 Ro 0.8 µm for seals with pulsating pressure

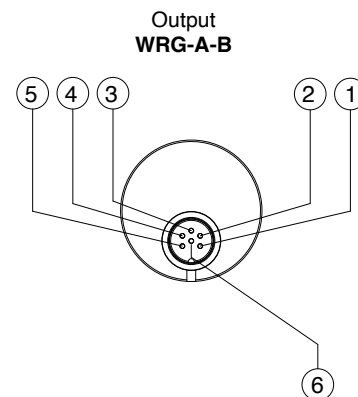
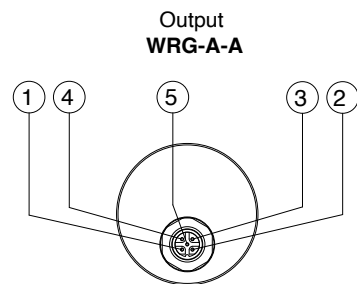
#### Suggested o-ring:

PARKER 3-908 16,36x2,21  
 Material: Viton 90° Shore-A  
 Mixes: PARKER N552-90



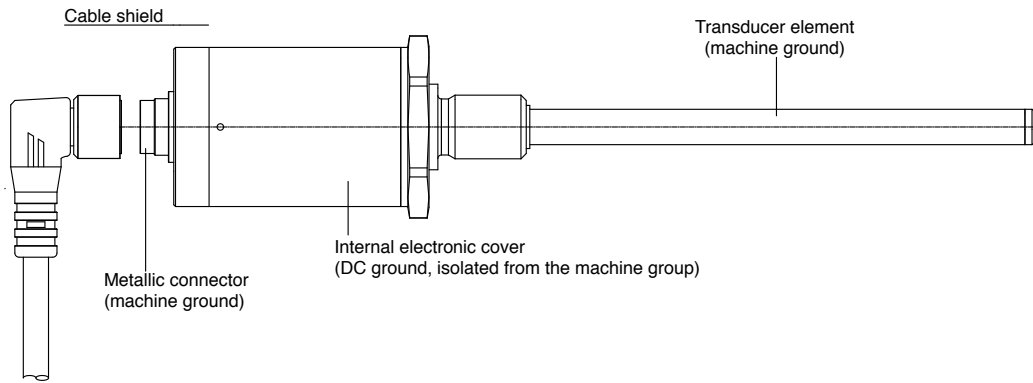
## ELECTRICAL CONNECTIONS

Function	CONNECTORS	
	WRG-A-A	WRG-A-B
	5 pin M12	6 pin M16
<b>Output 1 (position)</b> 0...10V 4...20mA	1	1
<b>GND Output 1</b> (0V)	2	2
<b>Output 2 (inverse position)</b> 10...0V 20...4mA	3	3
<b>GND Output 2</b> (0V)	2	4
<b>Power supply +</b>	5	5
<b>Power supply GND</b>	4	6
n.c.	-	-
n.c.	-	-

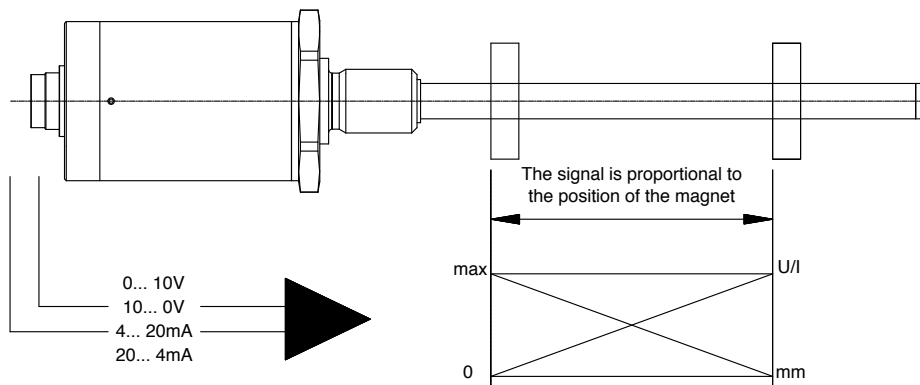


## GROUNDING WRG-A

### Connector output WRG-A



## ANALOG OUTPUT



The magnetostrictive transducers of the WRG-A series supply a direct and reverse analogue output in voltage (0...10 / 10...0 Vcc) and current (4...20 mA / 20...4 mA). The outputs are direct, no signal conditioning is required if they are interfaced with a controller or measuring instrument.

## ORDER CODE

### Position transducer

W R G A [ ] [ ] [ ] [ ] [ ] [ ] [ ] 1

0 0 0 0 X X X X S 0 0 [ ] 0 X X

Analog output **A**

### Output Connector

M12 5 pin output connector **A**

6 pin DIN 45322 output connector **B**

### MODEL

### Output

0...10, 10...0 Vcc **A**

4...20, 20...4 mA **E**

### Thread

M 18x1.5 (standard) **M**

3/4" - 16UNF **I**

### ► Included in the supply

- Series WR position transducer
- OR 15.4 x 2.1 thread M18 x 1.5 cod: **GUA064**
- OR 16.36 x 2.21 thread 3/4" -16 UNF cod: **GUA065**

### ► Magnetic cursors must be ordered separately

Mechanical and/or electrical characteristics differing from those in the standard version may be arranged on request.

Ex.: **WRG-A-B-0400-A-1 0000XXXXS00M0XX**

Transducer model WRG, analog output, B connector, model 400mm, 0...10Vdc output, thread M18x1,5

# FLOATING CURSOR



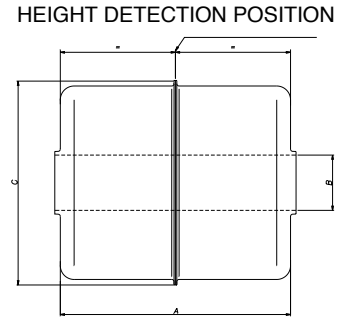
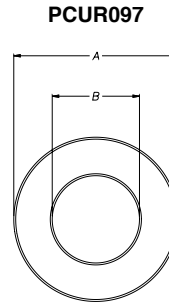
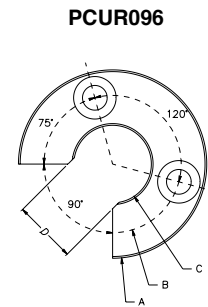
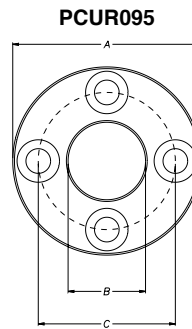
Cursors	
Cursor Diameter 32.8	<b>095</b>
Cursor Diameter 32.8 with 90° slit	<b>096</b>
Cursor Diameter 25.4	<b>097</b>
Floating cursor for liquids with hole diameter 12	<b>098</b>

The **PCUR095** is supplied with:  
 N° 8 Brass nuts M4  
 N° 8 Brass washers D4  
 N° 4 Brass screws M4x25

The **PCUR096** is supplied with:  
 N° 4 Brass nuts M4  
 N° 4 Brass washers D4  
 N° 2 Brass screws M4x25

Dimensions	A	B	C	D	Thickness
PCUR095	32.8	13.5	23.9	-	7.9
PCUR096				11	
PCUR097	25.4	13.5		-	

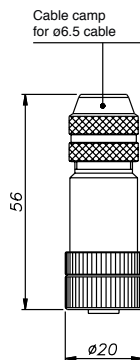
Model	PCUR098	
Length A	mm	52.4
Diameter B (hole)	mm	12
Diameter C	mm	44
Material	AISI 316	



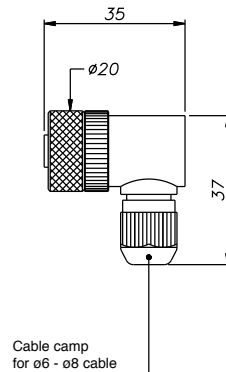
**Note:** PCUR098 is supplied with kit PKIT036 for floating cursor for liquids.

## OPTIONAL CONNECTORS (to order separately)

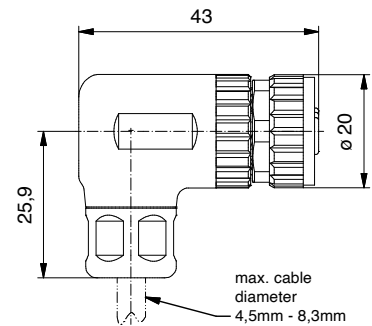
For **WRG-A-A**, M12 thread connector  
 CON031, CON041 and CON125\*\* for 5 pin output (WRG-A-A)



**CON031**  
IP67 - IEC 48B

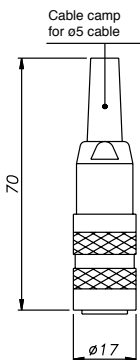


**CON041**  
IP67

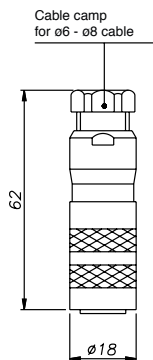


**CON125**  
IP67

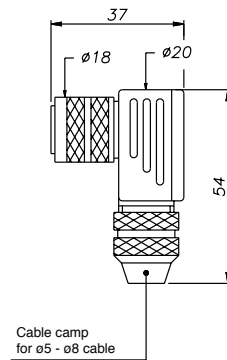
For **WRG-A-B**, M16 thread connector  
 CON021, CON022 and CON023 for 6 pin output (WRG-A-B)



**CON021**  
IP40 - EMC



**CON022**  
IP67 - EMC



**CON023**  
IP67 - EMC

\*\*Shielded connector

Note:

1. The IP rating specified in this document normally applies with the suitable female connector plugged-in and properly wired.

## OPTIONAL OUTPUT CABLES (to order separately)

For **WRG-A-A**, cable with connector (straight or 90°) with M12 thread 5 pin

Lenght "L"		CODE	
		Straight cable	Cable to 90°
2	mt	<b>CAV011</b>	<b>CAV021</b>
5	mt	<b>CAV012</b>	<b>CAV022</b>
10	mt	<b>CAV013</b>	<b>CAV023</b>
15	mt	<b>CAV015</b>	<b>CAV024</b>

## ACCESSORIES (to order separately)

Non-magnetic spacer for mounting PCUR022 cursor

**CUR022**

Sensors are manufactured in compliance with:

- EMC 2014/30/EU compatibility directive
- RoHS 2011/65/EU

Electrical installation requirements and Conformity certificate are available on our web site: [www.gefran.com](http://www.gefran.com)

**GEFRAN spa** reserved the right to make aesthetic or functional changes at any time and without notice.